

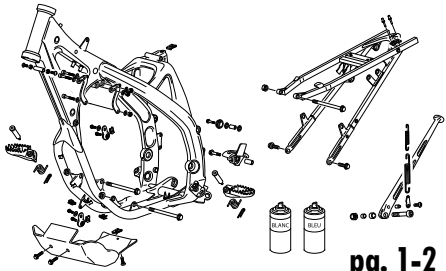
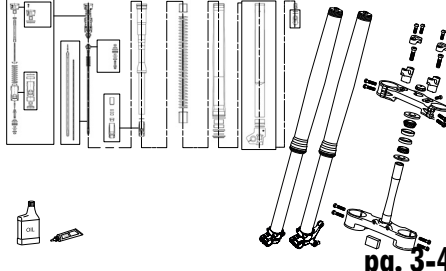
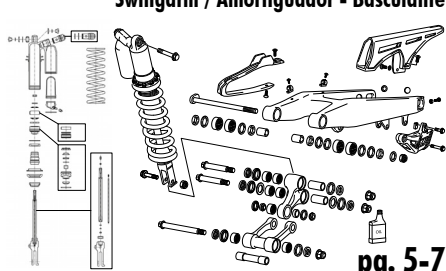
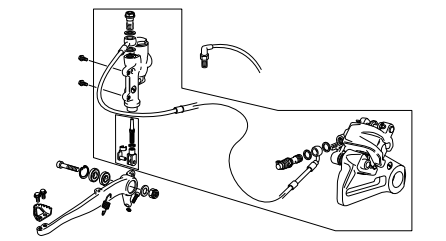
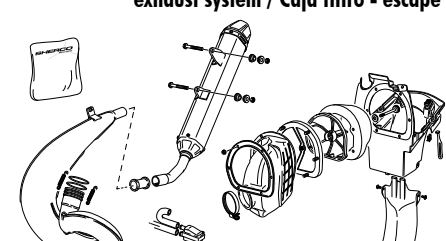
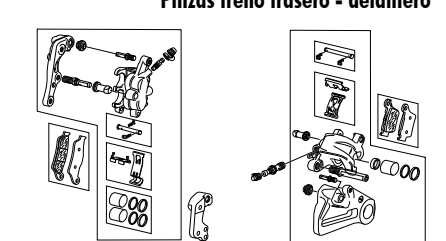
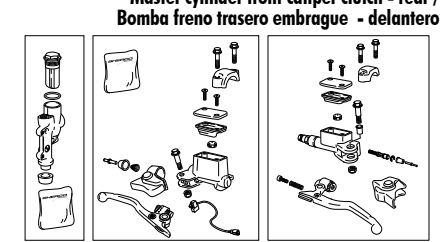
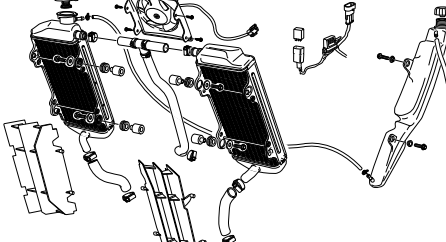
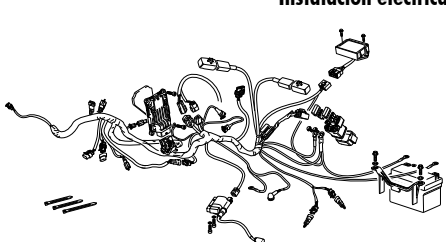
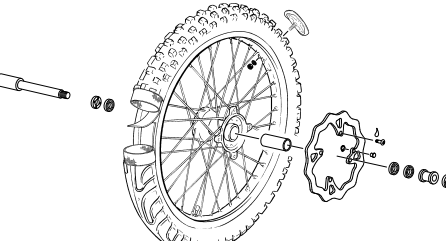
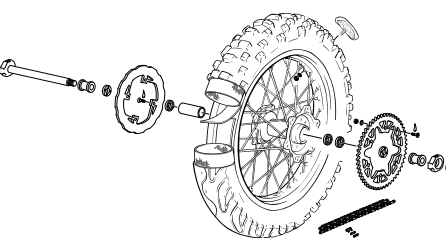
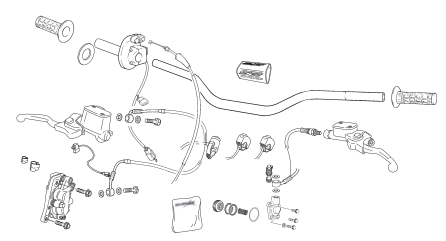
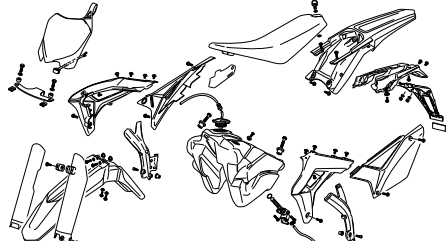
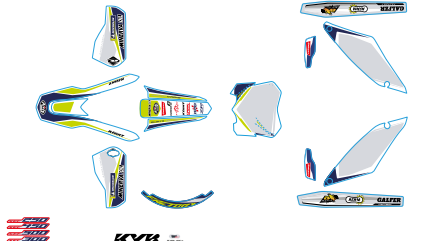
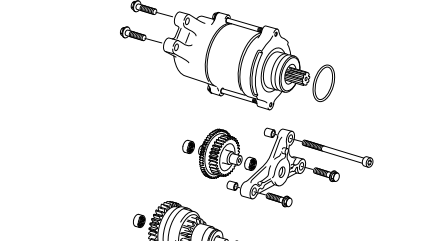
*Spare part's book* **20**

**250 SC-R**

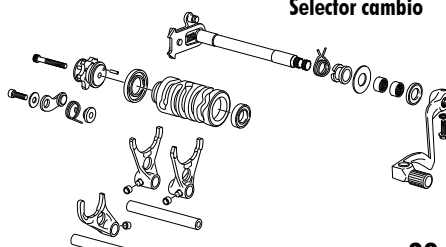
**300 SC-R**

**KENNY**

**SHERCO**  
Motorcycles

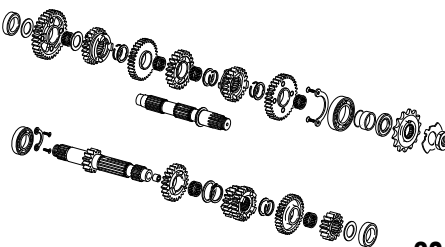
|                                                                                                                                                                                                                                                           |                                                                                                                                                                                                     |                                                                                                                                                                                                      |
|-----------------------------------------------------------------------------------------------------------------------------------------------------------------------------------------------------------------------------------------------------------|-----------------------------------------------------------------------------------------------------------------------------------------------------------------------------------------------------|------------------------------------------------------------------------------------------------------------------------------------------------------------------------------------------------------|
| <p><b>1</b> Cadre / Frame / Chasis</p>  <p>pg. 1-2</p>                                                                                                                    | <p><b>2</b> Fourche / Fork / Horquilla KAYABA</p>  <p>pg. 3-4</p>                                                 | <p><b>3</b> Amortisseur - Bras oscillant / Rear Shock - Swingarm / Amortiguador - Basculante</p>  <p>pg. 5-7</p>  |
| <p><b>4</b> Frein arrière / Rear brake / Freno trasero</p>  <p>pg. 8</p>                                                                                                  | <p><b>5</b> Boîte filtre - échappement / Air filter box - exhaust system / Caja filtro - escape</p>  <p>pg. 9</p> | <p><b>6</b> Etrier frein arrière-avant / Front rear caliper / Pinzas freno trasero - delantero</p>  <p>pg. 10</p> |
| <p><b>7</b> Maître cylindre frein avant embrayage - arrière / Master cylinder front caliper clutch - rear / Bomba freno trasero embrague - delantero</p>  <p>pg. 11</p> | <p><b>8</b> Radiateur / Radiator / Radiador</p>  <p>pg. 12</p>                                                  | <p><b>9</b> Faisceau électrique / Electrical system / Instalación eléctrica</p>  <p>pg. 13</p>                  |
| <p><b>10</b> Roue avant / Front wheel / Rueda delantera</p>  <p>pg. 14</p>                                                                                              | <p><b>11</b> Roue arrière / Rear wheel / Rueda trasera</p>  <p>pg. 15</p>                                       | <p><b>12</b> Guidon / Handlebar / Manillar</p>  <p>pg. 16-17</p>                                                |
| <p><b>13</b> Plastiques / Plastics / Plásticos</p>  <p>pg. 18-19</p>                                                                                                    | <p><b>14</b> Adhesif / Sticker / Adhesivo</p>  <p>pg. 20</p>                                                    | <p><b>15</b> Demarreur / Starter Motor / Motor Starter</p>  <p>pg. 21</p>                                       |

**16**      **Selecteur / Gear selector group /  
Selector cambio**



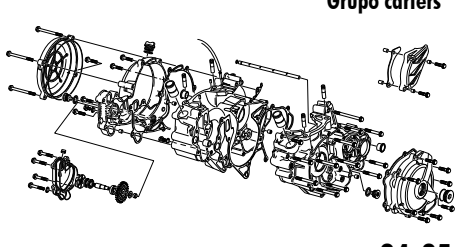
**pg. 22**

**17**      **Boite a vitesses / Gear set / Cambio**



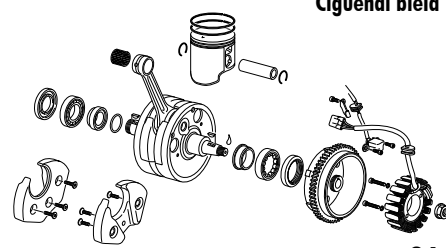
**pg. 23**

**18**      **Groupe carter / Crankcase assembly /  
Grupo carter**



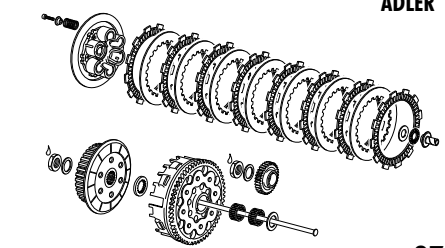
**pg. 24-25**

**19**      **Villebrequin assemble / Crankshaft assembly /  
Cigüeñal biela**



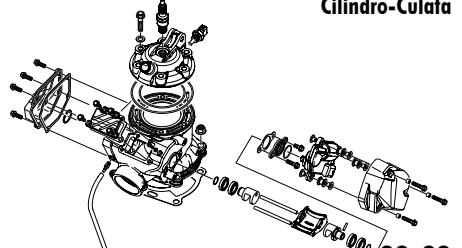
**pg. 26**

**20**      **Embrayage / Clutch / Embrague  
ADLER**



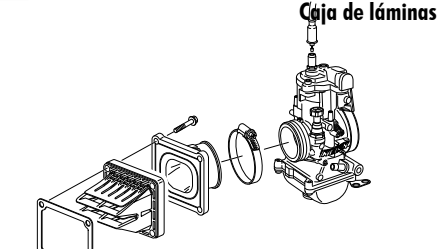
**pg. 27**

**21**      **Cylindre-Culasse / Cylinder-Cylinder head /  
Cilindro-Culata**



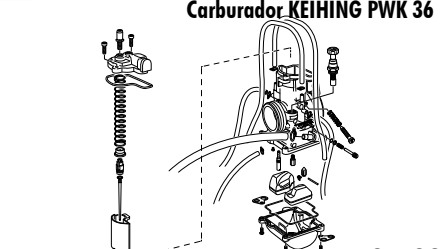
**pg. 28-29**

**22**      **Boîte à clapet / Reed valve /  
Caja de láminas**



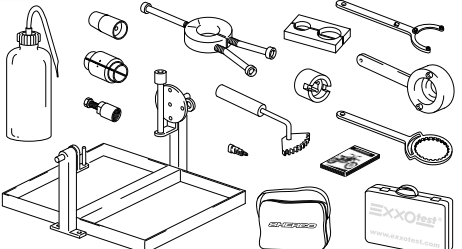
**pg. 30**

**23**      **Carbureteur / Carburetor /  
Carburador KEIHING PWK 36**



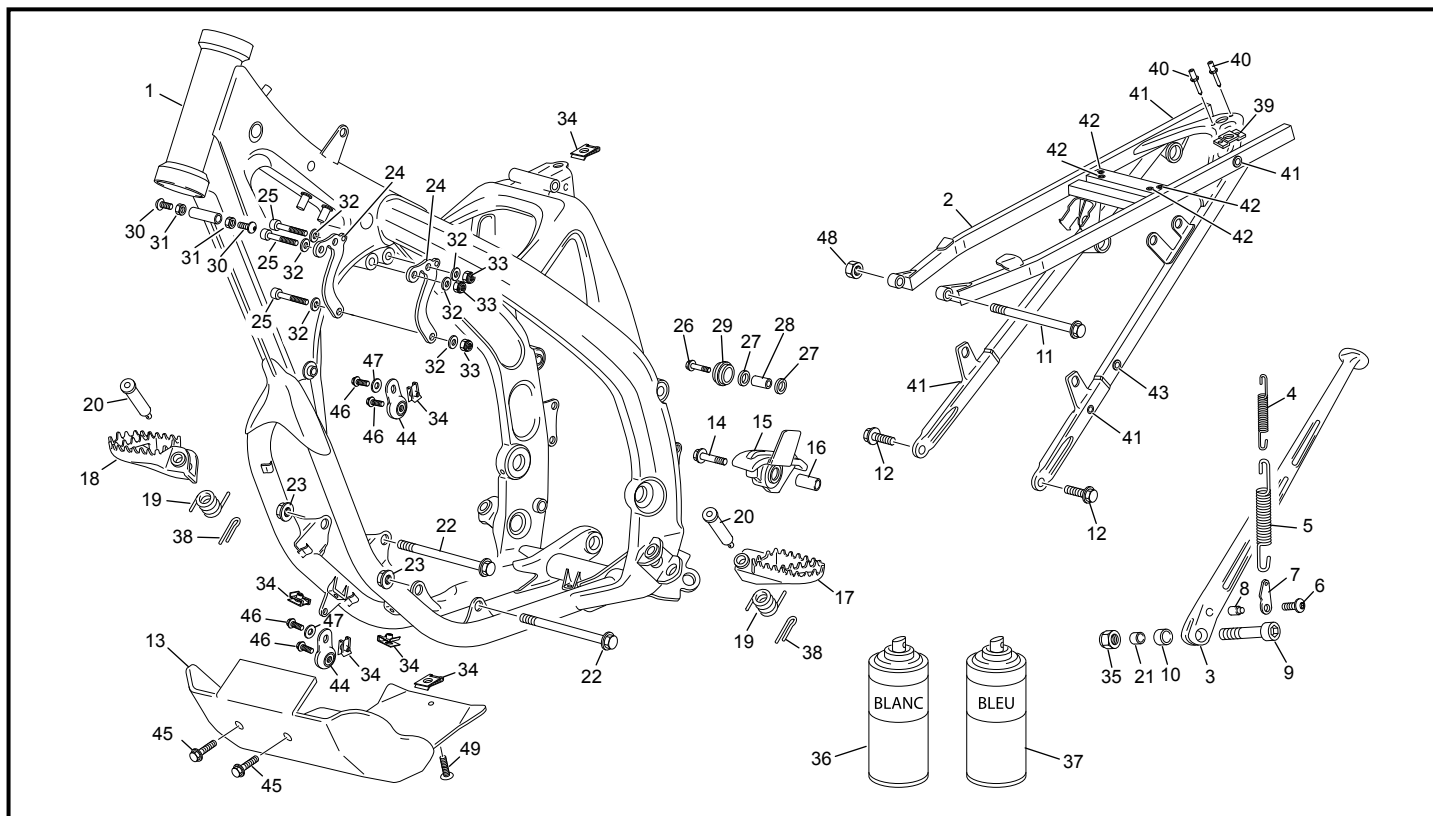
**pg. 31-32**

**24**      **Outillage / Tools / Utillajes**



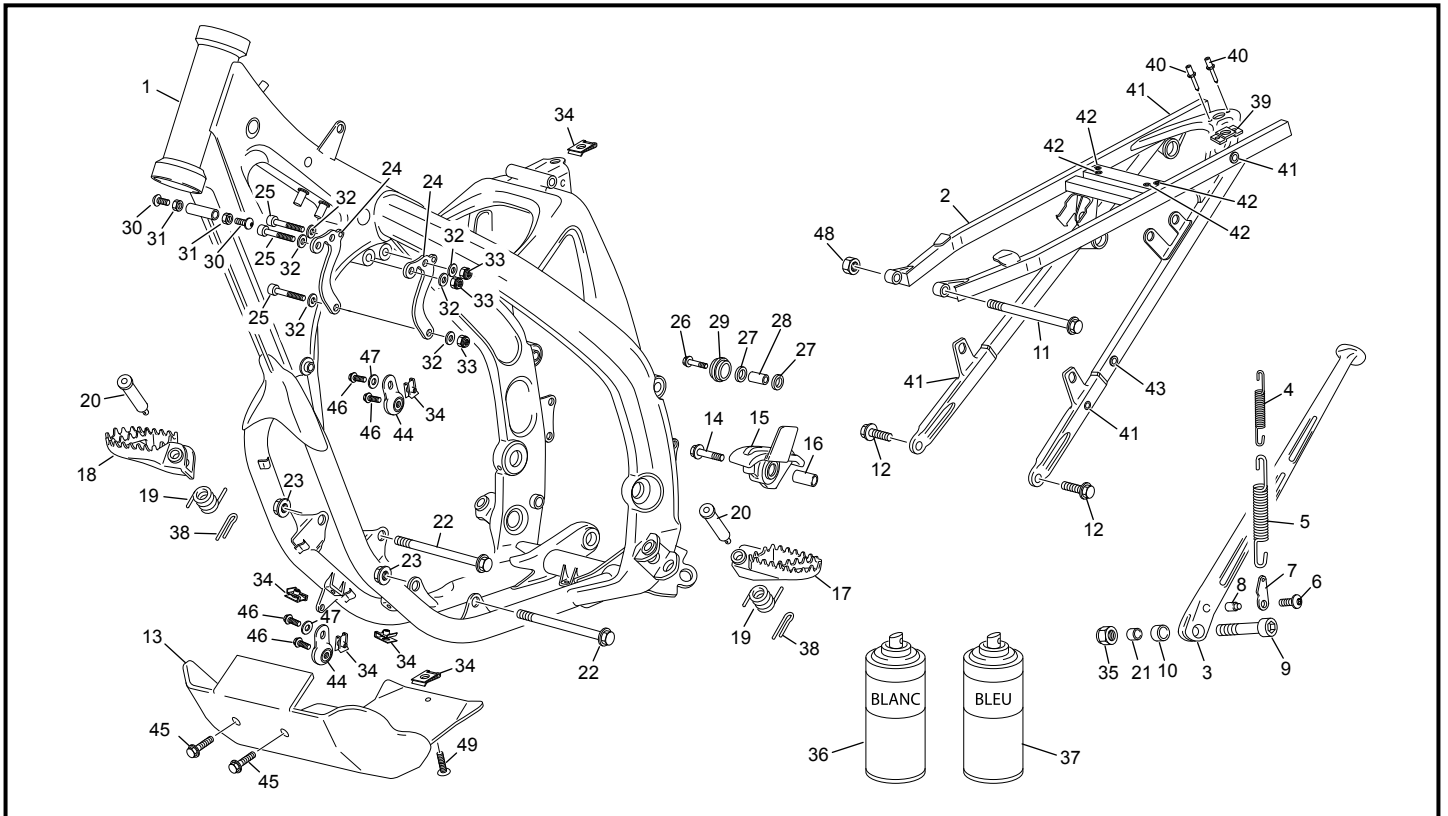
**pg. 33**

## Cadre / Frame / Chasis



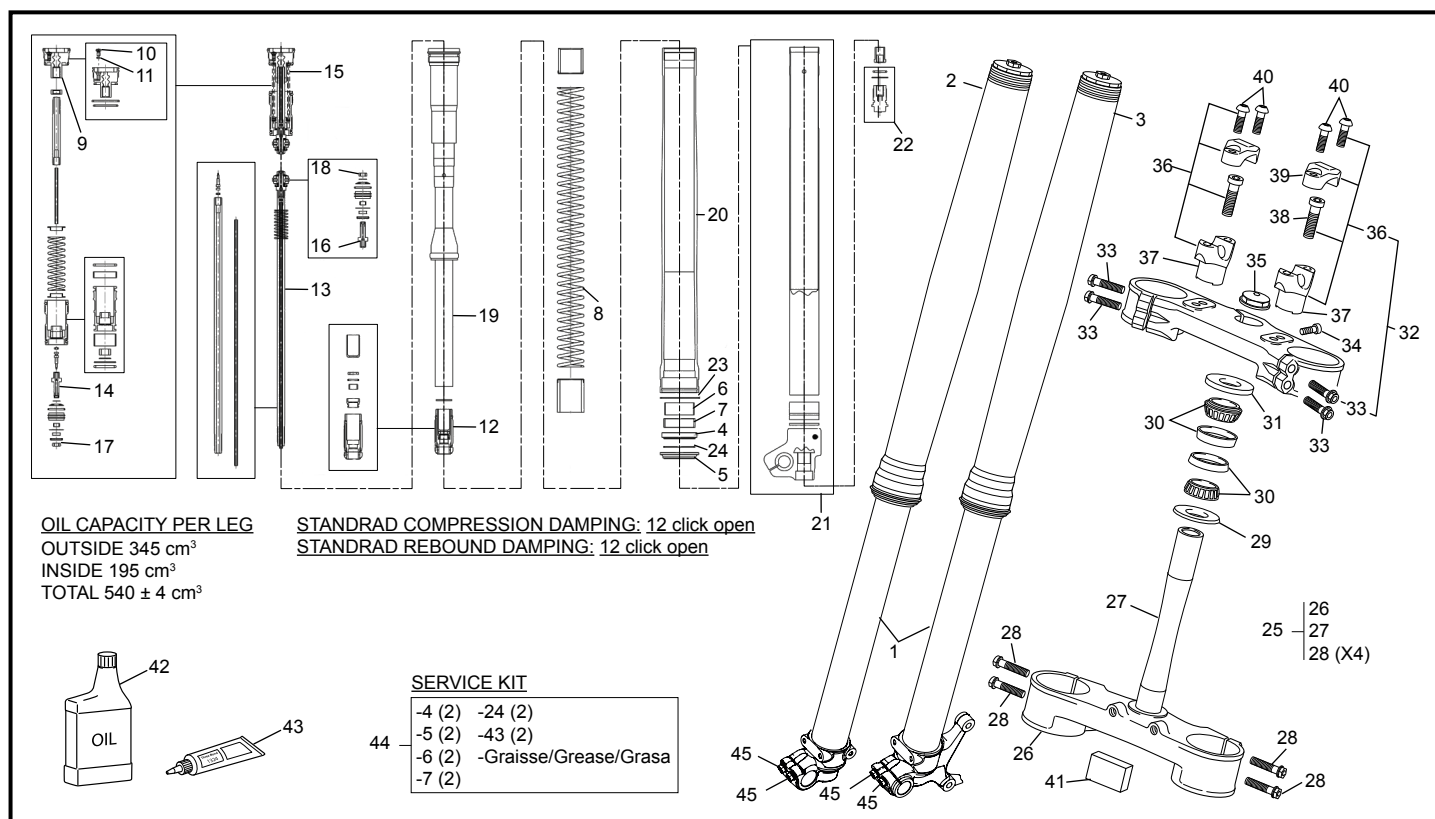
| POS. | 250 SC-R | 300 SC-R | FRANÇAIS                                      | ENGLISH                                   | ESPAÑOL                                     |
|------|----------|----------|-----------------------------------------------|-------------------------------------------|---------------------------------------------|
| 1    | 7585     | 7585     | CADRE PEINT 250/300 SE SYNERJECT BLEU KYB     | FRAME PAINT 250/300 SE SYNERJECT BLUE KYB | CHASIS PEINT 250/300 SE SYNERJECT AZUL KYB  |
| 2    | 7292     | 7292     | BERCEAU ARRIERE SE EVO                        | REAR SUB FRAME SE EVO                     | SOPORTE SILLIN SE EVO                       |
| 3    | 3348     | 3348     | BEQUILLE END 2012                             | SIDE STAND END 2012                       | CABALLETE END 2012                          |
| 4    | 3086     | 3086     | RESSORT DE BEQUILLE INT END 2011              | STAND SPRING INT END 2011                 | MUELLE CABALETE INT END 2011                |
| 5    | 3085     | 3085     | RESSORT BEQUILLE EXT END 2011                 | SPRING STAND EXT END 2011                 | MUELLE CABALETE EXT END 2011                |
| 6    | M258     | M258     | VIS BHC 5 X 16 1093 Zn Ni Tr                  | SCREW BHC 5 X 16 Zn Ni Tr                 | TORNILLO 5 X 16 ULS Zn Ni Tr                |
| 7    | 3087     | 3087     | PLAQUE MAINTIEN RESSORT BEQUILLE END 2012     | FIXATION SIDE STAND PLATE END 2012        | PLACA FIACION CABALETTE END 2012            |
| 8    | 3450     | 3450     | ENTRETOISE CAME HOMOLOGATION BEQUILLE END     | SPACER SIDE STAND END                     | CASQUILLO CABALETTE END                     |
| 9    | 3478     | 3478     | VIS CHC M10 X 40 TETE BASSE ZI BLANC END 2012 | STAND SCREW END 2010                      | TORNILLO CABALETE END 2012                  |
| 10   | 3089     | 3089     | ENTRETOISE RESSORT BEQUILLE END               | STAND SPACER                              | CASQUILLO CABALETE                          |
| 11   | 4825     | 4825     | VIS CHC M8 X 120 DIN 912 8.8 ZI BLANC         | SCREW M8 X 120 DIN 912 8.8 ZI WHITE       | TORNILLO M8 X 120 DIN 912 8.8 ZI BLANCO     |
| 12   | 3363     | 3363     | VIS TH EP M8 X 20                             | SCREW TH EP M8 X 20                       | TORNILLO TH EP M8 X 20                      |
| 13   | 5324     | 5324     | SABOT PLASTIQUE AXP RACING 250/300 SE         | SKID PLATE PLASTIC RACING 250/300 SE      | PROTECTORES CARTER PLATIC RACING 250/300 SE |
| 14   | 0578     | 0578     | VIS TH EP M8 X 30                             | SCREW TH EP M8 X 30                       | TORNILLO TH EP M8 X 30                      |
| 15   | 3078     | 3078     | PATIN DE CHAINE AVANT INFERIEUR END 2012      | FRONT CHAIN GUID PLATE END 2012           | PATIN CADENA DELANTERO END 2012             |
| 16   | 3479     | 3479     | DOUILLE PATIN CHAINE END 2012                 | SPACER CHAIN GUIDE END 2012               | CASQUILLO PATIN CADENA END 450              |
| 17   | 0227     | 0227     | REPOSE PIED GAUCHE END                        | LEFT FOOT REST END                        | ESTIBERO                                    |
| 18   | 0226     | 0226     | REPOSE PIED DROIT END                         | RIGHT FOOT REST END                       | ESTIBERO DER END                            |
| 19   | 0229     | 0229     | RESSORT REPOSE PIED END                       | FOOT REST SPRING END                      | MUELLE ESTIBERO END                         |
| 20   | 6482     | 6482     | AXE REPOSE PIED END                           | FOOT REST AXEL END                        | EJE ESTIBERA END                            |
| 21   | 0516     | 0516     | ENTRETOISE INT BEQUILLE 450 / 500 END         | SPACER INT STAND 450 / 500 END            | CASQUILLO INT CABALETE 450 / 500 END        |
| 22   | 1672     | 1672     | AXE MOTEUR 10 X 135                           | ENGIN AXEL 10 X 135                       | EJE MOTOR 10 X 135                          |
| 23   | 0703     | 0703     | ECROU NYLSTOP M10 EPAULE DIN 6926             | NUT NYLSTOP M10 DIN 6926                  | TUERCA NYLSTOP M10 CON VALONA DIN 6926      |
| 24   | 6578     | 6578     | SUPPORT CULASSE SE 250/300 2017               | CYLINDER HEAD SUPPORT SE EVO1             | SOPORTE CULATA SE EVO1                      |
| 25   | M264     | M264     | VIS CHC 8 X 45 0084 Zn Ni Tr                  | SCREW CHC 8 X 45 Zn Ni Tr                 | TORNILLO 8 X 45 ALLEN Zn Ni Tr              |
| 26   | 0578     | 0578     | VIS TH EP M8 X 30                             | SCREW TH EP M8 X 30                       | TORNILLO TH EP M8 X 30                      |
| 27   | M027     | M027     | ROULEMENT A BILLE 608.2RSH                    | BALL BEARING 608.2RSH                     | COJINETE DE RODAMIENTO 608.2RSH             |
| 28   | 0556     | 0556     | DOUILLE GALET CHAINE END 450                  | SPACER CHAIN WHEEL END 450                | CASQUILLO ROLO CADENA END 450               |
| 29   | 0231     | 0231     | GALET DE CHAINE END                           | ROLER CHAIN GUIDE END                     | ROLO CADENA END                             |
| 30   | M280     | M280     | VIS BHC 8 X 16 Zn Ni Tr PRE IMPREGNEE FAIBLE  | SCREW BHC 8 X 16 Zn Ni Tr - TL 180°       | TORNILLO 8 X 16 ULS Zn Ni Tr - TL 180°      |
| 31   | 3481     | 3481     | ECROU BAS M8 ZI BLANC                         | NUT M8                                    | TUERCA M8                                   |
| 32   | C430     | C430     | RONDELLE M8                                   | WASHER M8                                 | ARANDELA M8                                 |
| 33   | M305     | M305     | ECROU NYLSTOP M8 0368.8                       | NUT NYLSTOP M8                            | TUERCA NYLSTOP M8                           |
| 34   | M308     | M308     | ECROU CLIP M6 0500500400                      | NUT CLIP M6                               | TUERCA CLIP M6                              |

### Cadre / Frame / Chasis



| POS. | 250 SC-R | 300 SC-R | FRANÇAIS                                       | ENGLISH                            | ESPAÑOL                              |
|------|----------|----------|------------------------------------------------|------------------------------------|--------------------------------------|
| 35   | M304     | M304     | ECROU NYLSTOP M10 0368.10                      | NUT NYLSTOP M10                    | TUERCA NYLSTOP M10                   |
| 36   | 3898     | 3898     | BOMBE DE PEINTURE RETOUCHE BLANC 250 END       | CAN OF WHITE AEROSOL PAINT 250 END | POMPA AEROSOL PEINTURA WHITE 250 END |
| 37   | 3897     | 3897     | BOMBE DE PEINTURE RETOUCHE BLEU COBALT 250 END | CAN OF BLUE AEROSOL PAINT 250 END  | POMPA AEROSOL PEINTURA AZUL 250 END  |
| 38   | 0240     | 0240     | GOUPILLE AXE REPOSE PIED END                   | GOUPILLE 3.2X20 AXE FOOT REST END  | PASADOR DIN 94 3.2X20 Z BLA          |
| 39   | 0531     | 0531     | PLAQUE DZUS END 450                            | PLAQUE DZUS END 450                | PLAQUE DZUS END 450                  |
| 40   | 0701     | 0701     | RIVET ZEBRA 3 X 10                             | RIVET POP DIAM 3 X 10              | REMACHE 3 X 10                       |
| 41   | 1250     | 1250     | INSERT ECROUS 50 125 06                        | INSERT NUT                         | TUERCA DE SUORTE SILLIN 50 125 06    |
| 42   | 4772     | 4772     | INSERT RIVETE M6 FRAISE                        | INSERT M6                          | INSERT M6                            |
| 43   | 4773     | 4773     | INSERT RIVETE M5                               | INSERT M5                          | INSERT M5                            |
| 44   | 4267     | 4267     | SILENT BLOC POT ECHAPPEMENT 250 2T END         | SILENBLOC SILENCEUR 250 2T END     | SILENBLOC SILENCIOSO 250 2T END      |
| 45   | 7754     | 7754     | VIS TH EP EPAULE M 6 X 25                      | SPECIAL SCREW TH EP 6 X 25         | TORNILLO ESPECIAL TH EP 6 X 25       |
| 46   | 0546     | 0546     | VIS TH EP 6 X 20                               | SREW TH EP 6 X 20                  | TORNILLO TH EP 6 X 20                |
| 47   | C427     | C427     | RONDELLE M6 X 15                               | WASHER M6 X 15                     | ARANDELA M6 X 15                     |
| 48   | M305     | M305     | ECROU NYLSTOP M8 0368.8                        | NUT NYLSTOP M8                     | TUERCA NYLSTOP M8                    |
| 49   | 1993     | 1993     | VIS FHC 6 X 20 1089                            | SCREW FHC 6 X 20                   | TORNILLO AVELLANADO M 6 X 20         |

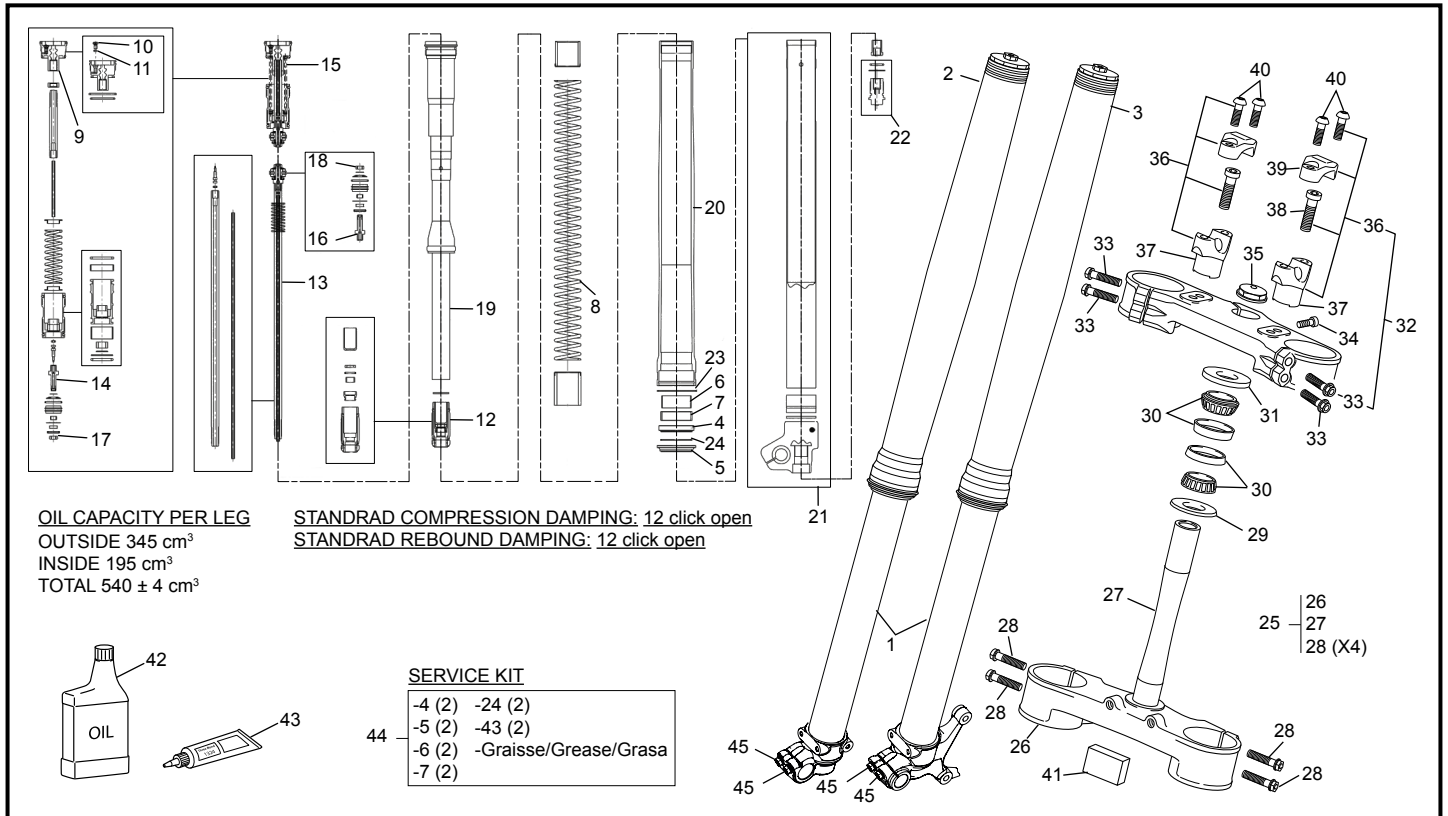
### Fourche KAYABA / Fork KAYABA / Horquilla KAYABA



| POS. | 250 SC-R | 300 SC-R | FRANÇAIS                                      | ENGLISH                                        | ESPAÑOL                                    |
|------|----------|----------|-----------------------------------------------|------------------------------------------------|--------------------------------------------|
| 1    | 7439     | 7439     | FOURCHE SHERCO KYB 250/300 2T 4T              | FRONT FORK COMPLETE SHERCO KYB 250/300 2ST 4ST | HORQUILLA SHERCO KYB 250/300 2ST 4ST       |
| 2    | 7656     | 7656     | JAMBE FOURCHE DROITE 250/300 KYB              | RIGHT FORK LEG WP 250/300 KYB                  | GAMBA HORQUILLA DER WP 250/300 KYB         |
| 3    | 7657     | 7657     | JAMBE FOURCHE GAUCHE 250/300 KYB              | LEFT FORK LEG WP 250/300 KYB                   | GAMBA HORQUILLA IZQ WP 250/300 KYB         |
| 4    | 7674     | 7674     | KIT JOINT 48 MM                               | OIL SEAL SET 48 MM                             | SELLO DE ACEITE SET 48 MM                  |
| 5    | 7675     | 7675     | KIT CACHE POUSSIERE 48 MM                     | DUST SEAL SET 48 MM                            | SELLO DE POLVO SET 48 MM                   |
| 6    | 7676     | 7676     | JEU PISTON 48 MM                              | PISTON METAL SET 48 MM                         | JUEGO PISTON METAL 48 MM                   |
| 7    | 7677     | 7677     | JEU SEGMENT METALLIQUE 48 MM                  | SLIDE METAL SET 48MM                           | GUÍA METÁLICA JUEGO 48 MM                  |
| 8    | 7680     | 7680     | JEU DE RESSORT 48MM 460L 3,8N                 | FF SPRING SET 48MM 460L 3,8N                   | JUEGO DE MUELLES FF 48MM 460L 3,8N         |
| 8    | 7681     | 7681     | JEU DE RESSORT 48MM 460L 3,9N                 | FF SPRING SET 48MM 460L 3,9N                   | JUEGO DE MUELLES FF 48MM 460L 3,9N         |
| 8    | 7682     | 7682     | JEU DE RESSORT 48MM 460L 4,0N                 | FF SPRING SET 48MM 460L 4,0N                   | JUEGO DE MUELLES FF 48MM 460L 4,0N         |
| 8    | 7683     | 7683     | JEU DE RESSORT 48MM 460L 4,1N                 | FF SPRING SET 48MM 460L 4,1N                   | JUEGO DE MUELLES FF 48MM 460L 4,1N         |
| 8    | 7684     | 7684     | JEU DE RESSORT 48MM 460L 4,2N                 | FF SPRING SET 48MM 460L 4,2N                   | JUEGO DE MUELLES FF 48MM 460L 4,2N         |
| 8    | 7685     | 7685     | JEU DE RESSORT 48MM 460L 4,3N                 | FF SPRING SET 48MM 460L 4,3N                   | JUEGO DE MUELLES FF 48MM 460L 4,3N         |
| 8    | 7686     | 7686     | JEU DE RESSORT 48MM 460L 4,4N                 | FF SPRING SET 48MM 460L 4,4N                   | JUEGO DE MUELLES FF 48MM 460L 4,4N         |
| 8    | 7687     | 7687     | JEU DE RESSORT 48MM 460L 4,5N                 | FF SPRING SET 48MM 460L 4,5N                   | JUEGO DE MUELLES FF 48MM 460L 4,5N         |
| 8    | 7688     | 7688     | JEU DE RESSORT 48MM 460L 4,6 N                | FF SPRING SET 48MM 460L 4,6 N                  | JUEGO DE MUELLES FF 48MM 460L 4,6 N        |
| 9    | 7691     | 7691     | BOUCHON SUPERIEUR COMP                        | TOP CAP COMP                                   | TAPA SUPERIOR COMP                         |
| 10   | 7692     | 7692     | VIS DE PURGE                                  | BLEED BOLT                                     | PERNO PURGADO                              |
| 11   | 7693     | 7693     | JOINT TORIQUE VIS DE PURGE                    | O-RING BLEED BOLT                              | O RING PERNO PURGADO                       |
| 12   | 7694     | 7694     | TETE DE CYLINDRE COMPLETE                     | CYLINDER HEAD COMP                             | TETE DE CYLINDRE COMPLETO                  |
| 13   | 7700     | 7700     | PISTON ROD REBOUND ASSY                       | PISTON ROD REBOUND ASSY                        | VARILLA DE PISTÓN DE COMPRESIÓN COMPLETO   |
| 14   | 7697     | 7697     | BASE CALPET DE COMPRESSION                    | BASE VALVE COMP                                | CALPET COMPRESSION BÁSICOS                 |
| 15   | 7696     | 7696     | ENSEMBLE BASE CALPET DE COMPRESSION           | BASE VALVE COMP ASSY                           | GOUPO CALPET COMPRESSION BÁSICOS           |
| 16   | 7698     | 7698     | BASE CALPET DETENTE                           | BASE VALVE REBOUND                             | CALPET RETORNO BÁSICOS                     |
| 17   | 7699     | 7699     | ECROUS PLAT 6 MM                              | LOCK NUT FLAT 6MM BASE VALVE                   | TUERCA DE BLOQUEO DE VÁLVULA BASE DE 6 MM  |
| 18   | 7699     | 7699     | ECROUS PLAT 6 MM                              | LOCK NUT FLAT 6MM BASE VALVE                   | TUERCA DE BLOQUEO DE VÁLVULA BASE DE 6 MM  |
| 19   | 7695     | 7695     | CYLINDRE COMPLET                              | CYLINDER COMP                                  | CYLINDRO COMPLETO                          |
| 20   | 7701     | 7701     | TUBE COMPLET                                  | OUTERTUBE COMPLET                              | TUBOS COMPLETO                             |
| 21   | 7702     | 7702     | TUBE INTERIEUR COMPLET DROIT                  | INNERTUBE COMPLET RIGHT                        | TUBO INTERIOR COMPLETO DERECHO             |
| 21   | 7703     | 7703     | TUBE INTERIEUR COMPLET GAUCHE                 | INNERTUBE COMPLET GAUCHE                       | TUBO INTERIOR COMPLETO GAUCHE              |
| 22   | 7704     | 7704     | REGALGE DE DETENTE COMPLET                    | REBOUND ADJUSTER COMP                          | AJUSTADOR DE REBOTE                        |
| 23   | 7705     | 7705     | RONDILLE FOUREAU                              | SNAP RING OUTERTUBE                            | ANNELO TUBOS EXTERIOR                      |
| 24   | 7718     | 7718     | JOINT RACLEUR                                 | SCRAPER SEAL                                   | SELLO DE RASPADOR                          |
| 25   | 7645     | 7645     | T FOURCHE INF COMPLET FACTORY SEF SE 2019 KYB | LOWER PLATE FORK SET FACTORY 2019 KYB          | PLATINA INF HORQUILLA FACTORY END 2019 KYB |

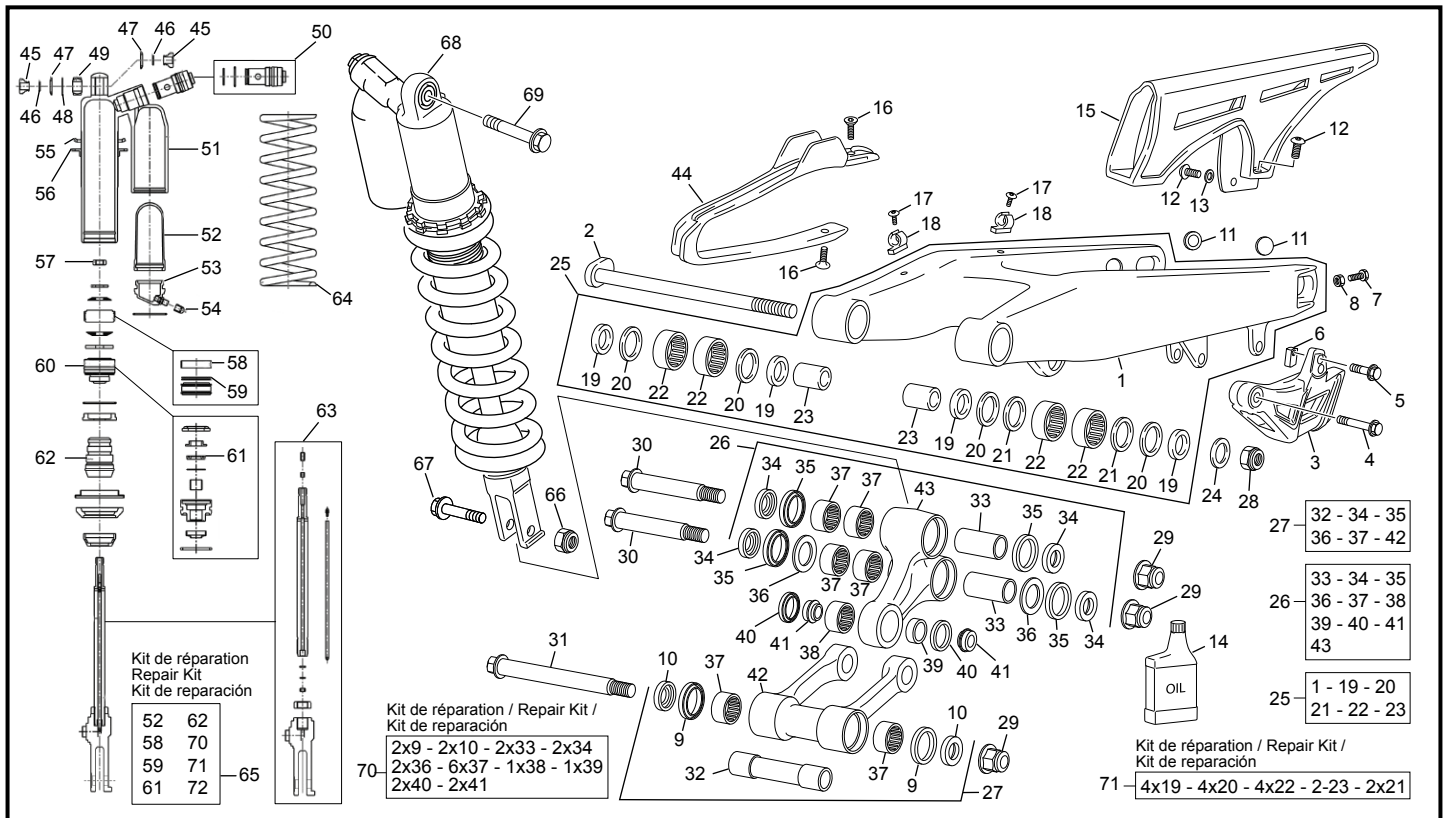
\*Sherco se réserve les droits de modification des références, merci de contrôler sur le portail Sherconetwork avant toute commande. - \*Sherco reserves the right to make change on the references, please check on your Sherconetwork portal before ordering.  
 \*Sherco se reserva el derecho para hacer modificaciones sobre las referencias. Por favor, verifica en el Sherconetwork antes de hacer un pedido.

### Fourche KAYABA / Fork KAYABA / Horquilla KAYABA



| POS. | 250 SC-R | 300 SC-R | FRANÇAIS                                 | ENGLISH                                    | ESPAÑOL                                  |
|------|----------|----------|------------------------------------------|--------------------------------------------|------------------------------------------|
| 27   | 0348     | 0348     | PIVOT DIRECTION END 450                  | STEERING AXEL END 450                      | EJE DIRECTION END 450                    |
| 28   | 8397     | 8397     | VIS TH EP M8 X 35 TORX                   | SCREW SPECIAL M 8 X 35 TORX                | TORNILLO HEXA M8 X 35 TORX               |
| 29   | 0410     | 0410     | JOINT DIRECTION INF END                  | SEAL DIRECTION END                         | JUNTA DIRECTION INF END                  |
| 30   | 0353     | 0353     | ROULEMENT DIRECTION 320/28X/Q END        | BEARING 320/28X/Q END                      | COJINET DIRECTION 320/28X/Q END          |
| 31   | 0354     | 0354     | PROTECTEUR SUP COLONNE DIRECTION END 450 | PROTECTOR DIRECTION BEARING END 450        | PROTECTOR COJINET DIRECTION END 450      |
| 32   | 6982     | 6982     | T FOURCHE SUP COMPLET SEF SE FACTORY     | UPPER PLAT FORK STE FACTORY SEF SE         | PLATINA SUP HORQUILLA JUEGO FACTORY      |
| 33   | 8397     | 8397     | VIS TH EP M8 X 35 TORX                   | SCREW SPECIAL M 8 X 35 TORX                | TORNILLO HEXA M8 X 35 TORX               |
| 34   | 3654     | 3654     | VIS M8 X25 FOURCHE WP REMPLACER PAR 6874 | HH COLAR SCREW M8 X25 END WP CHAGE BY 6874 | TORNILLO M8 X25 END WP REMPLAZADOR 6874  |
| 35   | 0460     | 0460     | ECROU PIVOT DIRECTION END 450            | STEERING AXEL BOLT END 450                 | TUERCA EJE DIRECTION END 450             |
| 36   | 3901     | 3901     | BRIDE GUIDON COMPLETE END 2012           | HANDELBAR HOLDER SET END 2012              | BRIDA INF MANILLAR JUEGO END 2012        |
| 37   | 3257     | 3257     | BRIDE GUIDON INFERIEURE 42.5 END 2011    | BRIDE INF HANDLE BAR 42.5 END 2011         | BRIDA INFERIOR 42.5 MANILLARD END 2011   |
| 37   | 3258     | 3258     | BRIDE GUIDON INFERIEURE 50 MM END 2011   | BRIDE INF HANDLE BAR 50MM END 2011         | BRIDA INFERIOR 50MM MANILLARD END 2011   |
| 37   | 3259     | 3259     | BRIDE GUIDON INFERIEURE 57.5 MM END 2011 | BRIDE INF HANDLE BAR 57.5MM END 2011       | BRIDA INFERIOR 57.5MM MANILLARD END 2011 |
| 38   | 3255     | 3255     | VIS CHC M10 X35 NEKEN                    | SCREW CHC M10 X35 NEKEN                    | TORNILLO CHC M10 X35 NEKEN               |
| 39   | 3256     | 3256     | BRIDE GUIDON SUPERIEURE END              | BRIDE SUP HANDLE BAR END                   | BRIDA SUPERIOR MANILLAR END              |
| 40   | 3654     | 3654     | VIS M8 X25 FOURCHE WP REMPLACER PAR 6874 | HH COLAR SCREW M8 X25 END WP CHAGE BY 6874 | TORNILLO M8 X25 END WP REMPLAZADOR 6874  |
| 41   | 3924     | 3924     | ADHESIF GUIDE DURITE END 12              | DECALC HOSE GUIDE END 12                   | AD. PATIN TUBOS END 12                   |
| 42   | 7719     | 7719     | HUILE DE FOURCHE 1L                      | FRONTFORK OIL 01M 1L                       | ACEITE HORQUILLA 1L                      |
| 42   | 7720     | 7720     | HUILE DE FOURCHE 5L                      | FRONTFORK OIL 01M 5L                       | ACEITE HORQUILLA 5L                      |
| 43   | 7721     | 7721     | GRAISSE 250 ML                           | GREASE 250ML                               | GRASA 250 ML                             |
| 44   | 7673     | 7673     | KIT ENTRETIEN                            | SERVICE KIT                                | KIT DE MANTENIMIENTO                     |
| 45   | 8366     | 8366     | VIS PIED DE FOURCHE KYB                  | FORK AXCEL BRACKET SCREW KYB               | TORNILLO ESPECIAL KYB                    |

### Amortisseur - Bras oscillant / Rear Shock - Swingarm / Amortiguador - Basculante

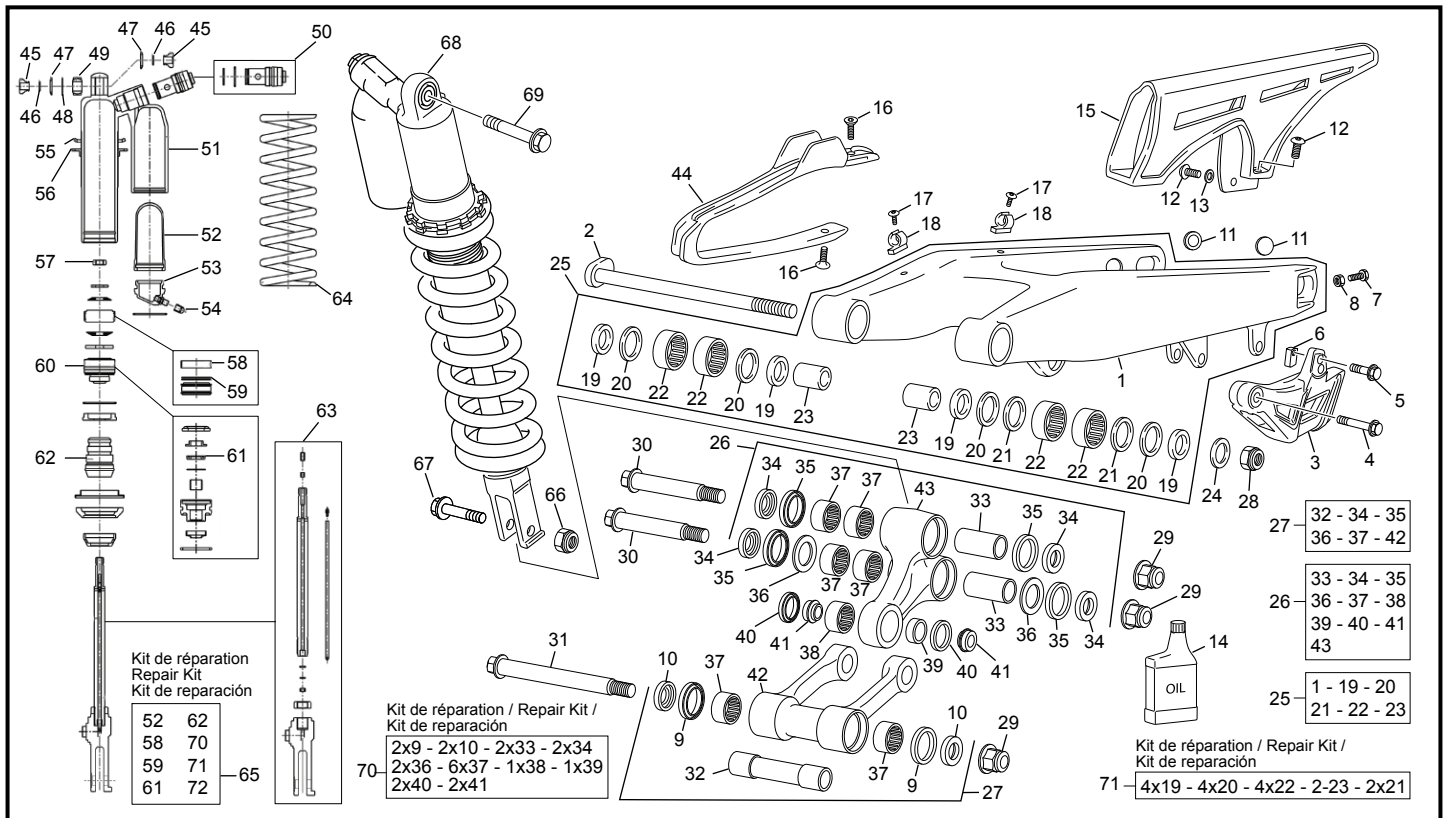


| POS. | 250 SC-R | 300 SC-R | FRANÇAIS                                         | ENGLISH                                 | ESPAÑOL                                    |
|------|----------|----------|--------------------------------------------------|-----------------------------------------|--------------------------------------------|
| 1    | 8144     | 8144     | BRAS OSCILLANT SE SEF EVO2                       | SWINGARM SE SEF EVO2                    | BASCULANTE SE SEF EVO2                     |
| 2    | 0451     | 0451     | AXE BRAS END 450                                 | AXEL SWINGARM END 450                   | EJE BASCULANTE END 450                     |
| 3    | 4533     | 4533     | GUIDE CHAÎNE END RACING BLEU                     | CHAIN GUID END RACING BLUE              | GUIDA CADENA END RACING AZUL               |
| 4    | 0549     | 0549     | VIS TH EP 6 X 45                                 | SREW TH EP 6 X 45                       | TORNILLO TH EP 6 X 45                      |
| 5    | 0546     | 0546     | VIS TH EP 6 X 20                                 | SREW TH EP 6 X 20                       | TORNILLO TH EP 6 X 20                      |
| 6    | 2343     | 2343     | ECROU SPECIAL PATIN DE CHAÎNE(2 PIECES)          | CHAIN GUIDE SCREW (2 PARTS)             | TUERCA ESPECIAL CHAIN GUIDE (2 PIEZAS)     |
| 7    | 0462     | 0462     | VIS TENDEUR DE CHAÎNE                            | TENSOR CHAIN SCREW                      | TORNILLO TENSOR CADENA                     |
| 8    | M272     | M272     | ECROU EMBASE X8 0692                             | COLLAR HEX NUT M8                       | TUERCA CON VALONA M8                       |
| 9    | 6493     | 6493     | JOINT LEVRE 25X32X4                              | OIL SEAL 25X32X4                        | RETEN 25X32X4                              |
| 10   | 8137     | 8137     | RONDELLE ENTRETOISE BIELLETTE H EVO2             | H LINK SPACER WASHER SE SEF EVO2        | CASQUILLO ARRANDELA BIELETA H SE SEF EVO2  |
| 11   | 1103     | 1103     | BOUCHON DE BRAS OSCILLANT GRIS 450               | COVER SWING ARM AXLE 450                | TAPAFINAL REDONDO GRIS BASCULANTE 450      |
| 12   | M283     | M283     | VIS BHC 6 X 16 1093 ZI NI TR                     | SCREW BHC 6 X 16 ZI NI TR               | TORNILLO 6 X 16 ULS ZI NI TR               |
| 13   | C427     | C427     | RONDELLE M6 X 15                                 | WASHER M6 X 15                          | ARANDELA M6 X 15                           |
| 14   | 3694     | 3694     | HUILE AMORTISSEUR WP 5L                          | OIL SAE 5 WP AMORTIGUADOR 5L            | OIL AMORTIGUADOR WP 5L                     |
| 15   | 0298     | 0298     | CARTER DE CHAÎNE END 450                         | CHAIN PROTECTOR END 450                 | CADENA PROTECTOR END 450                   |
| 16   | C432     | C432     | VIS FHC M6 X 16                                  | SCREW FHC M6 X 16                       | TORNILLO FHC M6 X 16                       |
| 17   | M278     | M278     | VIS BHC 5 X 10 1093 ZN NI TR TUFLOK180           | SCREW BHC 5X10 ZN NI TR TUFLOK 180      | TORNILLO 5 X 10 ULS ZN NI TR TUFLOK 180    |
| 18   | 0307     | 0307     | GUIDE DURITE FREIN AR END 450                    | HOSE BRACK HOLDER END 450               | SUPPORTO TUBO FRENO END 450                |
| 19   | 0440     | 0440     | ENTRETOISE ETANCHEITE BRAS 22X28X5               | SPACER SWING ARM 22X28X5                | CASQUILLO BASCULANTE 22X28X5               |
| 20   | 0292     | 0292     | JOINT LEVRE 28X35X4                              | OIL SEAL 28X35X4                        | RETEN 28X35X4                              |
| 21   | 0398     | 0398     | RONDELLE CALAGE BRAS OSCILLANT 22 X 0.8          | WASHER SWING ARM 22 X 0.8               | ARANDELA REGLAJE 22 X 0.8                  |
| 22   | 0290     | 0290     | DOUILLE AIGUILLE HK 2216                         | NEEDLE BEARING HK 2216                  | CASQUILLO AGUJAS HK 2216                   |
| 23   | 0291     | 0291     | ENTRETOISES INTERNE 17X22X38                     | SPACER INTERNE 17X22X38                 | CASQUILLO INTERNE 17X22X38                 |
| 24   | C426     | C426     | RONDELLE M16                                     | WASHER M16                              | ARANDELA M16                               |
| 25   | 8445     | 8445     | OBSLETTE DISPONIBLE                              | SWINGARM END ASSEMBLY D14 EVO           | BASCULANTE END COMPLETO D14 EVO            |
| 26   | 8444     | 8444     | BIELLETTTE DELTA END 250/510 COMPLETE EVO        | LINK DELTA END 250/510 END ASSEMBLY EVO | TRAPECIO END 250/510 END COMPLETO EVO      |
| 27   | 8443     | 8443     | BIELLETTTE H END COMPLETE D14 EVO                | FORK LINK END ASSEMBLY D14 EVO          | BIELETA H END COMPLETA D14 EVO             |
| 28   | 7506     | 7506     | ECROU BRAS OSCILLANT SE SEF EVO                  | REAR BOLT SWINGARM AR SE SEF EVO        | TUERCA BASCULANTE SE SEF EVO               |
| 29   | 0444     | 0444     | ECROU NYLSTOP EPAULE M12                         | SCREW NYLSTOP EPAULE M12                | TUERCA AUTOBLOCANTE CON VALONA M12 BOSSARD |
| 30   | 6489     | 6489     | AXE BIELLETTE DELTA M14 SE SEF                   | AXEL DELTA LINK M14 SE SEF              | EJE BIELETA DELTA M14 SE SEF               |
| 31   | 6492     | 6492     | AXE BIELLETTE H 14 MM SE SEF                     | AXEL FORK LINK 14 MM SE SEF             | EJE BIELETA H 14 MM SE SEF                 |
| 32   | 8148     | 8148     | ENTRETOISE BIELLETTE H SE SEF 14MM               | H LINK SPACER SE SEF 14 MM              | CASQUILLO BIELETA H SE SEF 14 MM           |
| 33   | 6486     | 6486     | ENTRETOISE CAGE AIGUILLES BIELLETTE DELTA SE SEF | DELTA LINK SPACER SE SEF                | CASQUILLO BIELETA DELTA SE SEF             |
| 34   | 6485     | 6485     | RONDELLE ENTRETOISE BIELLETTE DELTA SE SEF       | DELTA LINK SPACER WASHER SE SEF         | CASQUILLO ARRANDELA BIELETA DELTA SE SEF   |

\*Sherco se réserve les droits de modification des références, merci de contrôler sur le portail Sherconetwork avant toute commande. - \*Sherco reserves the right to make change on the references, please check on your Sherconetwork portal before ordering.  
 \*Sherco se reserva el derecho para hacer modificaciones sobre las referencias. Por favor, verifica en el Sherconetwork antes de hacer un pedido.



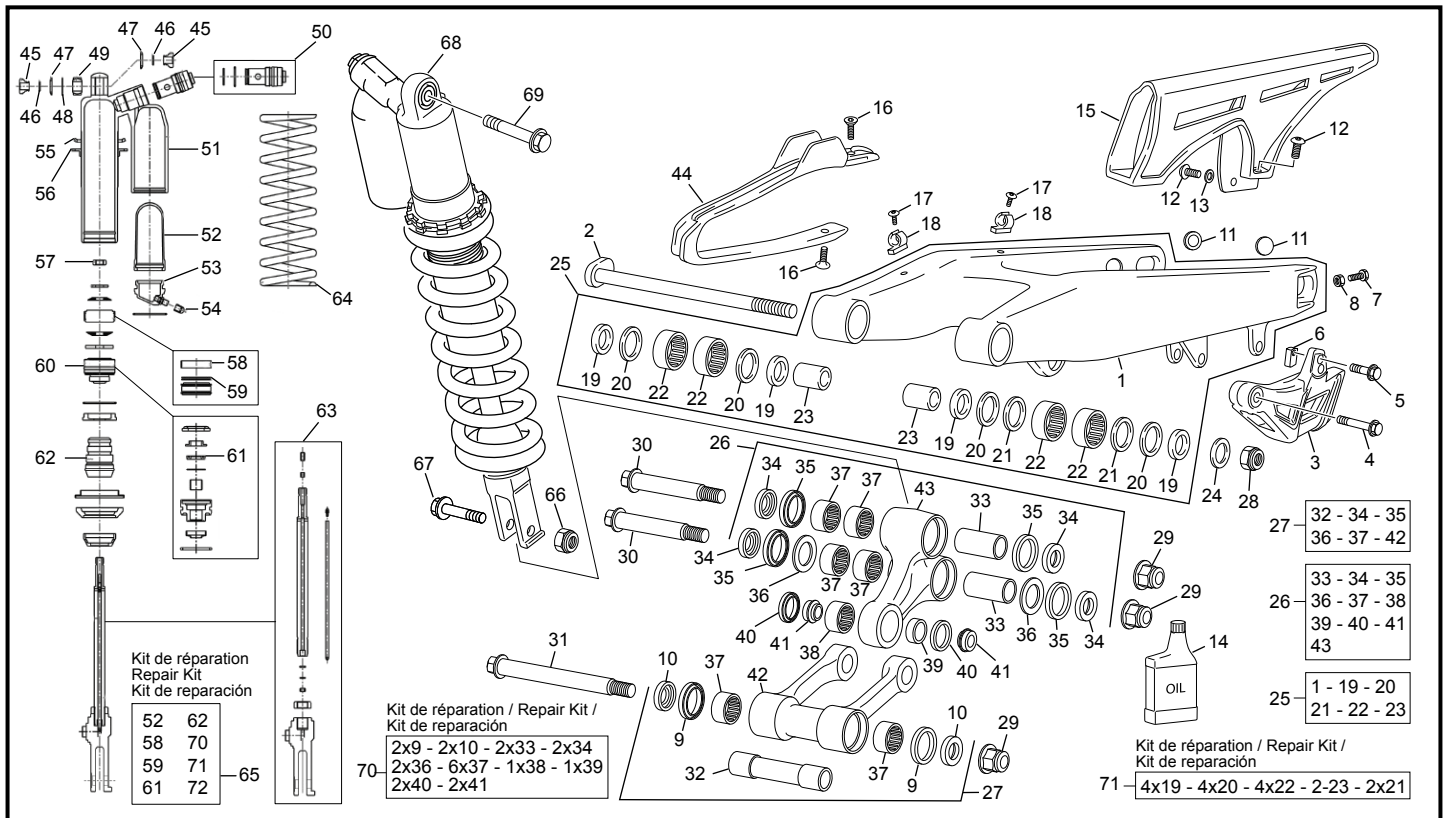
## Amortisseur - Bras oscillant / Rear Shock - Swingarm / Amortiguador - Basculante



| POS. | 250 SC-R | 300 SC-R | FRANÇAIS                                   | ENGLISH                                 | ESPAÑOL                                 |
|------|----------|----------|--------------------------------------------|-----------------------------------------|-----------------------------------------|
| 35   | 8141     | 8141     | RONDELLE ENTRETOISE INF AMORTISSEUR SE SEF | LOW SHOCK ABSORBER SPACER WASHER SE SEF | CASQUILLO ARRANDELA AMORTIGUADOR SE SEF |
| 36   | 6484     | 6484     | RONDELLE CALAGE 20X31.5X1                  | WASHER 20X31.5X1                        | ARANDELA 20X31.5X1                      |
| 37   | 6495     | 6495     | DOUILLE AIGUILLE JOINTIVE DL 20X26X16      | NEEDLE BEARING DL 20X26X16              | CASQUILLO AGUJAS DL 20X26X16            |
| 38   | 8139     | 8139     | DOUILLE AIGUILLE JOINTIVE 20X26X12 19X1    | NEEDLE BEARING 20X26X12 19X1            | CASQUILLO AGUJAS 20X26X12 19X1          |
| 39   | 8142     | 8142     | ENTRETOISE AMORTISSEUR SE SEF EVO2         | SHOCK ABSORBER SPACER SE SEF EVO2       | CASQUILLO AMORTIGUADOR SE SEF EVO2      |
| 40   | 8143     | 8143     | JOINT SPI                                  | OIL SEAL                                | RETEN                                   |
| 41   | 8141     | 8141     | RONDELLE ENTRETOISE INF AMORTISSEUR SE SEF | LOW SHOCK ABSORBER SPACER WASHER SE SEF | CASQUILLO ARRANDELA AMORTIGUADOR SE SEF |
| 42   | 8138     | 8138     | BIELLETTTE H SE SEF EVO2                   | FORK LINK SE SEF EVO2                   | BIELETTA H SE SEF EVO2                  |
| 43   | 8140     | 8140     | BIELLETTTE DELTA SE SEF EVO2               | LINK DELTA SE SEF EVO2                  | TRAPECIO END SE SEF EVO2                |
| 44   | 0297     | 0297     | PATIN DE CHAINE END 450                    | CHAIN GUID PLATE END 450                | PATIN CADENA END 450                    |
| 45   | 7722     | 7722     | ENTRETOISE ROTULE SUP AMORTISSEUR          | BEARING BODY COLLAR                     | DISTANCIAL ROTULA                       |
| 46   | 7723     | 7723     | O-RING ROTULE SUP AMORTISSEUR              | BEARING BODY O-RING                     | O-RING ROTULA                           |
| 47   | 7724     | 7724     | RONDELLE ROTULE SUP AMORTISSEUR            | BEARING BODY DUST SEAL                  | ARANDELA ROTULA                         |
| 48   | 7725     | 7725     | RONDELLE ROTULE SUP AMORTISSEUR            | BEARING BODY STOP RING                  | CLIP ROTULA                             |
| 49   | 7726     | 7726     | ROTULE SUP AMORTISSEUR                     | BEARING BODY                            | ROTULA                                  |
| 50   | 7727     | 7727     | GROUPE RÉGULATION COMPR                    | COMPRESSION ADJUSTER ASSY               | GROUPE REGULACION COMPR                 |
| 51   | 7728     | 7728     | CORPS D'AMORTISSEUR                        | SHOCK BODY                              | CUERPO DEL AMORTIGUADOR                 |
| 52   | 7729     | 7729     | MENBRANE GAZ AMORTISSEUR                   | BLADDER                                 | MEMBRANA                                |
| 53   | 7730     | 7730     | COUVERCLE BOMBONE GAZ COMPL                | GAS CAP COMP                            | TAPA                                    |
| 54   | 7731     | 7731     | BOUCHON DE VALVE                           | VALVE CAP STEEL                         | ENCHUFE                                 |
| 55   | 7732     | 7732     | CONTRE ÉCROU SUP RESSORT                   | SPRING RETAINER TOP                     | TUERCA MUELLE SUP                       |
| 56   | 7733     | 7733     | CONTRE ÉCROU INF RESSORT                   | SPRING RETAINER BOTTOM                  | TUERCA MUELLE INF                       |
| 57   | 7734     | 7734     | ÉCROU                                      | NUT                                     | TUERCA                                  |
| 58   | 7735     | 7735     | BAGUÉ ACIER DE PISTON                      | PISTON RING                             | ANILLO PISTON ACERO                     |
| 59   | 7736     | 7736     | O-RING DU PISTON                           | O-RING PISTON                           | O-RING PISTON                           |
| 60   | 7737     | 7737     | JOINT TÊTE DE TIGE CPL                     | SEAL HEAD COMP                          | RETEN                                   |
| 61   | 7738     | 7738     | JOINT SPI                                  | OIL SEAL                                | RETEN                                   |
| 62   | 7739     | 7739     | TAMPON DE FIN DE COURSE                    | BUMP RUBBER                             | GOMA FIN DE CORSA                       |
| 63   | 7740     | 7740     | TIGE ET PIED AMOR CPL                      | PISTON ROD COMP                         | BRIDA HORQUILLA DEL AMORTIGUADOR CPL    |
| 64   | 7741     | 7741     | RESSORT D'AMORTISSEUR 42 N                 | SHOCK SPRING 42 N                       | MUELLE AMORTIGUADOR 42 N                |
| 64   | 7742     | 7742     | RESSORT D'AMORTISSEUR 44 N                 | SHOCK SPRING 44 N                       | MUELLE AMORTIGUADOR 44 N                |
| 64   | 7743     | 7743     | RESSORT D'AMORTISSEUR 46 N                 | SHOCK SPRING 46 N                       | MUELLE AMORTIGUADOR 46 N                |
| 64   | 7744     | 7744     | RESSORT AMORTISSEUR STD 48 N               | STD SHOCK SPRING 48 N                   | MUELLE AMORTIGUADOR STD 48 N            |
| 64   | 7745     | 7745     | RESSORT D'AMORTISSEUR 50 N                 | SHOCK SPRING 50 N                       | MUELLE AMORTIGUADOR 50 N                |

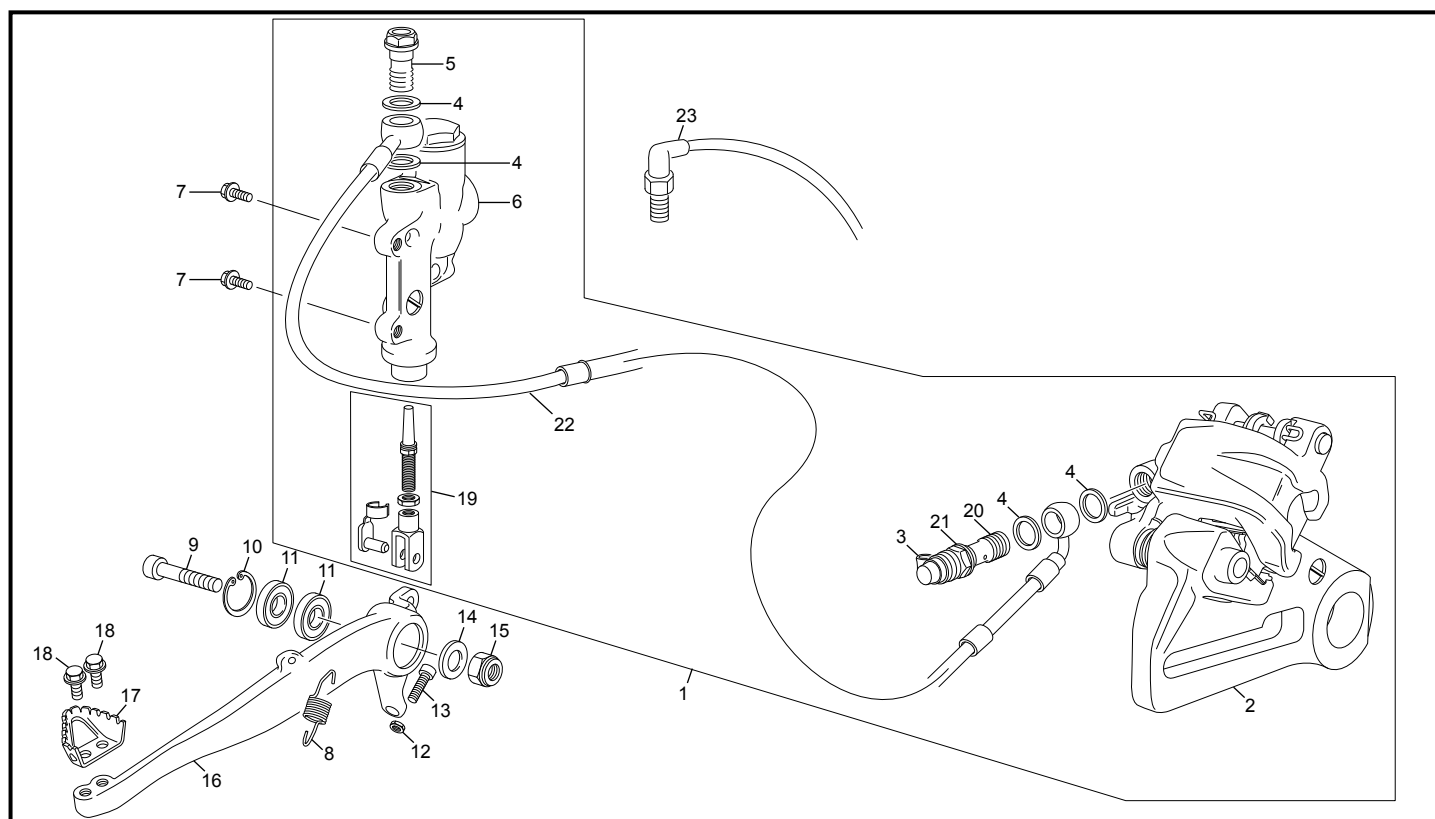
\*Sherco se réserve les droits de modification des références, merci de contrôler sur le portail Sherconetwork avant toute commande. - \*Sherco reserves the right to make change on the references, please check on your Sherconetwork portal before ordering.  
 \*Sherco se reserva el derecho para hacer modificaciones sobre las referencias. Por favor, verifica en el Sherconetwork antes de hacer un pedido.

### Amortisseur - Bras oscillant / Rear Shock - Swingarm / Amortiguador - Basculante



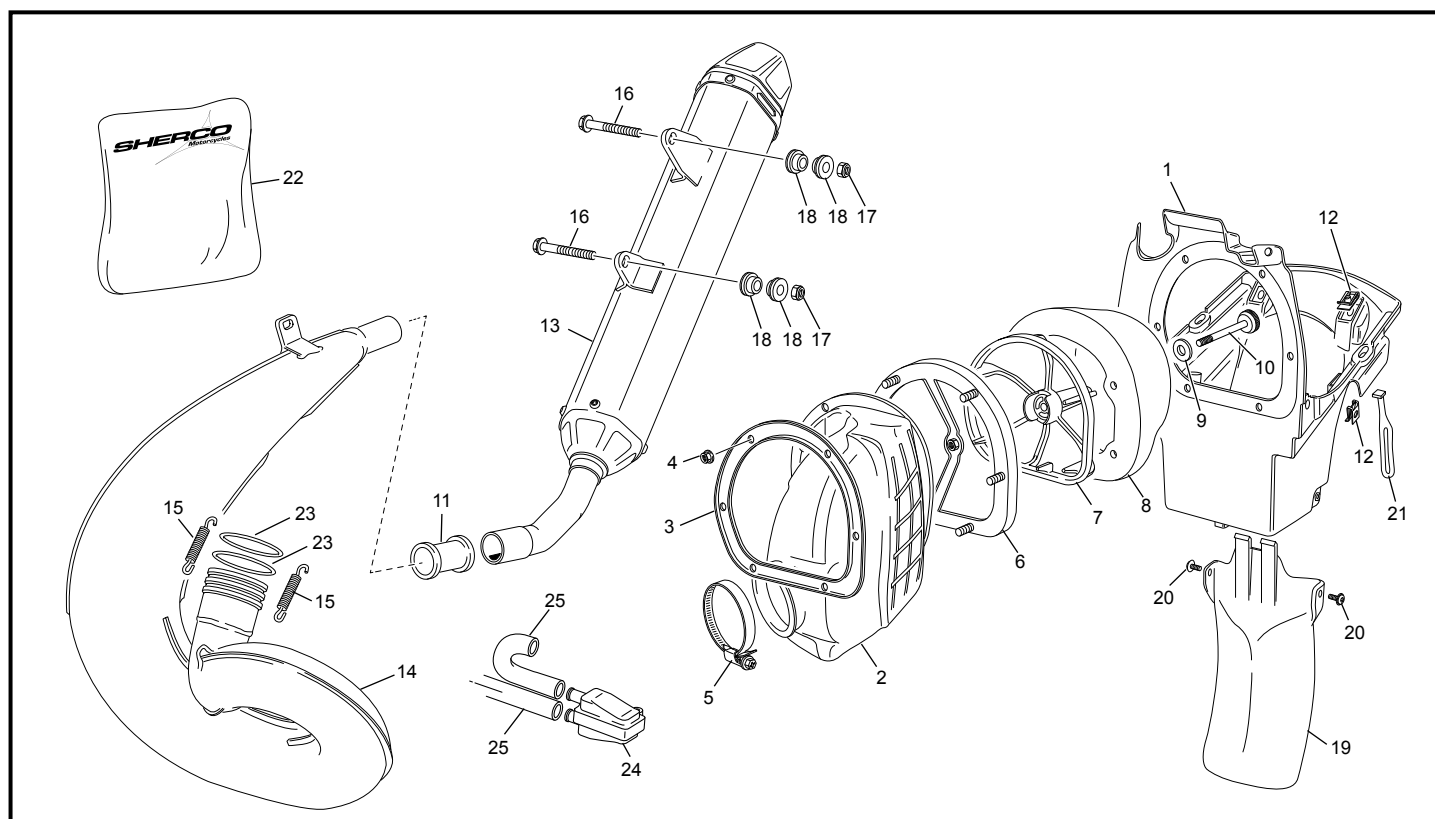
| POS. | 250 SC-R | 300 SC-R | FRANÇAIS                                      | ENGLISH                               | ESPAÑOL                                             |
|------|----------|----------|-----------------------------------------------|---------------------------------------|-----------------------------------------------------|
| 64   | 7746     | 7746     | RESSORT D'AMORTISSEUR 52 N                    | SHOCK SPRING 52 N                     | MUELLE AMORTIGUADOR 52 N                            |
| 64   | 7747     | 7747     | RESSORT D'AMORTISSEUR 54 N                    | SHOCK SPRING 54 N                     | MUELLE AMORTIGUADOR 54 N                            |
| 65   | 7748     | 7748     | KIT REPARATION AMORTISSEUR                    | SERVICE KIT SHOCK                     | SERVICE KIT AMORTIGUADOR                            |
| 66   | 7515     | 7515     | ECROU U ACIER TYPE FIN                        | NUT SPECIAL KYB                       | TUERCA SPECIAL KYB                                  |
| 67   | 7514     | 7514     | AXE AMORTISSEUR INF SEF KYB                   | AXEL SHOK ABSORBEUR INF SEF KYB       | EJE AMORTIGUADOR INF SEF KYB                        |
| 68   | 7443     | 7443     | AMORTISSEUR 250/300 SE SEF KYB                | SHOCK ABSORBER 250/300 2ST SE SEF KYB | AMORTIGUADOR 250/300 SE SEF KYB                     |
| 69   | 0478     | 0478     | AXE AMORTISEUR SUP M10 X51 END 450            | AXEL REAR SHOCK SUP M10 X 51 END 450  | EJE SUP AMORTIGUADOR M10 X 51 END 450               |
| 70   | 8451     | 8451     | KIT REFLECTION BIELLETTA DELTA ET H 14MM 2020 | REBUILT KIT LINKAGE BEARING 14MM 2020 | KIT DE RECONSTRUCCIÓN BIELLETTA DELTA Y H 14MM 2020 |
| 71   | 8450     | 8450     | KIT REFLECTION BRAS OSCILLANT SE SEF          | REBUILT KIT SWIGN ARM SE SEF          | KIT DE RECONSTRUCCIÓN BASCULENTE SE SEF             |

### Frein arrière / Rear brake / Freno trasero



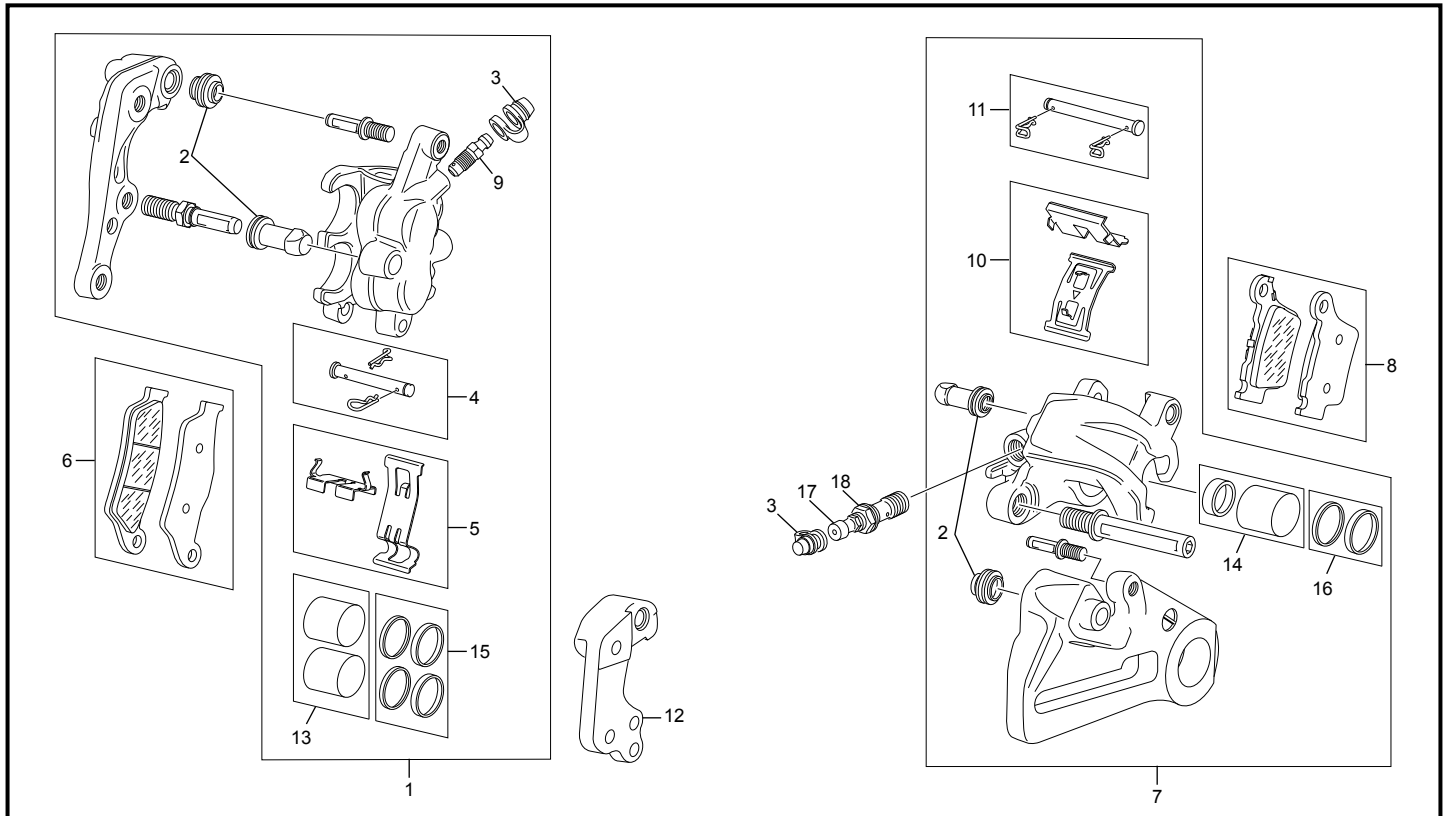
| POS. | 250 SC-R | 300 SC-R | FRANÇAIS                          | ENGLISH                            | ESPAÑOL                                 |
|------|----------|----------|-----------------------------------|------------------------------------|-----------------------------------------|
| 1    | 8310     | 8310     | GROUPE FREIN AR. CPL SE SEF EU 4  | REAR BRAKE SYSTEM ASSY SE SEF EU 4 | CTO FRENO TRAS SE SEF EU 4              |
| 1    | 3498     | 3498     | GROUPE FREIN AR. CPL END          | REAR BRAKE SYSTEM ASSY END         | CTO FRENO TRAS END                      |
| 2    | 3559     | 3559     | ETRIER FREIN AR BREMBO END        | REAR CALIPER BREMBO END            | PINZA FRENO TRASERA BREMBO END          |
| 3    | 3618     | 3618     | PROTECTION VIS DE PURGE END 12    | DUST COVER END 12                  | PROTECCIÓN TORNILLO DE PURGA END 12     |
| 4    | 3620     | 3620     | RONDELLE BANJO END BREMBO         | COPPER WASHER END BREMBO           | ARANDELLA BANJO END BREMBO              |
| 5    | 3619     | 3619     | VIS RACCORD BANJO END 2.5/3.0 12  | BANJO BOLT END 12                  | TORNILLO RACORD END 12                  |
| 6    | 3560     | 3560     | POMPE FREIN AR END 2.5/5.1 12     | REAR MASTER CYLINDER 2.5/5.1 12    | BOMBA FRENO TRASERO 2.5/5.1 12          |
| 7    | 0943     | 0943     | VIS TH EP 6 X 12                  | SCREW TH EP M6 X 12                | TORNILLO TH EP M6 X 12                  |
| 8    | 0336     | 0336     | RESSORT PEDALE FREIN END          | REAR BRAKE LEVER SPRING END        | MUELLE PALANCA FRENO END                |
| 9    | 2926     | 2926     | VIS SPECIALE CHC M10 X 48         | SCREW CHC M10 X 48                 | TORNILLO CHC M10 X 48                   |
| 10   | 2925     | 2925     | CIRCLIP ALESAGE 26 X 1.2          | CIRCLIP CYLINDER 26 X 1.2          | CIRCLIP 26 X 1.2                        |
| 11   | 2924     | 2924     | ROULEMENT 6000 2RS 26X10X8        | BEARING 6000 2RS 26X10X8           | RODAMIENTO 6000 2RS 26 X 10 X 8         |
| 12   | 3556     | 3556     | ECROU M6 BAS ZI                   | SCREW M6                           | TUERCA M6                               |
| 13   | C410     | C410     | VIS CHC M6 X 25                   | SCREW CHC M6 X 25                  | TORNILLO CHC M6 X 25                    |
| 14   | C424     | C424     | RONDELLE M10                      | WASHER M10                         | ARANDELA M10                            |
| 15   | 0703     | 0703     | ECROU NYLSTOP M10 EPAULE DIN 6926 | NUT NYLSTOP M10 DIN 6926           | TUERCA NYLSTOP M10 CON VALONA DIN 6926  |
| 16   | 3496     | 3496     | PEDALE DE FREIN AR END 2012       | REAR BRAKE LEVER END 2012          | PALANCA FRENO TRAS END 2012             |
| 17   | 2153     | 2153     | EMBOU PEDAL FREIN END EVO         | POINT BREAK PEDAL END EVO          | PUNTERA PEDAL FRENO END EVO             |
| 18   | 0655     | 0655     | VIS TH EP 5 X 10                  | SREW TH EP 5 X 10                  | TORNILLO TH EP 5 X 10                   |
| 19   | 3520     | 3520     | TIGE DE PEDALE DE FREIN END 12    | BRAKE PEDAL ROD END 12             | VARILLA PEDAL DE FRENO END 12           |
| 20   | 3640     | 3640     | RACCORD BANJO END 12              | BANJO BOLT                         | TORNILLO BANJO BREMBO                   |
| 21   | 3639     | 3639     | PURGEUR BREMBO END 12             | BLEEDER SCREW BREMBO               | TORNILLO DE PURGA BREMBO                |
| 22   | 3562     | 3562     | DURITE FREIN AR END 2.5/5.1 12    | REAR BRAKE HOSE END 2.5/5.1 12     | LATIGUILLO FRENO TRASERO END 2.5/5.1 12 |
| 23   | 0625     | 0625     | INTERUPTEUR FREIN                 | BRAKE ELECTRIC CONTACT             | INTERUPTOR FRENO                        |

### Boîte filtre - échappement / Air filter box - exhaust system / Caja filtro - escape



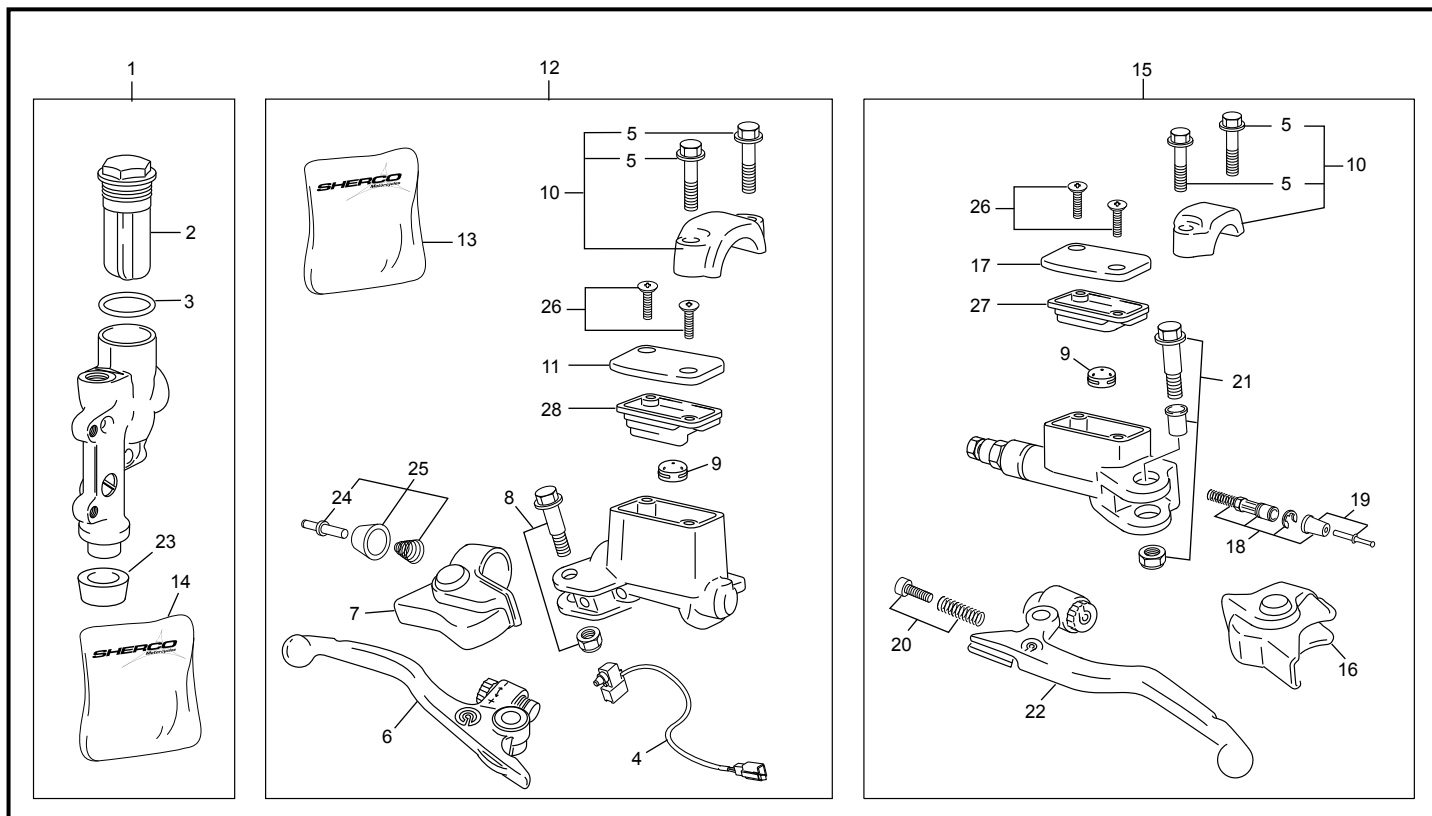
| POS. | 250 SC-R | 300 SC-R | FRANÇAIS                                        | ENGLISH                                          | ESPAÑOL                                       |
|------|----------|----------|-------------------------------------------------|--------------------------------------------------|-----------------------------------------------|
| 1    | 3055     | 3055     | BOITIER FILTRE AIR END                          | AIR BOX END                                      | CAJA FILTRO END                               |
| 2    | 7483     | 7483     | MANCHON FILTRE/ CARBU END 250/300 2T EVO        | RUBER INJECTION HOSE END 250/300 2T EVO          | GOMA INJECTION/CAJA FILTRO END 250/300 2T EVO |
| 3    | 3045     | 3045     | PLAQUE MAINTIEN SUPPORT FILTRE                  | FILTER FIXATION RETAINER PLATE END 2011          | PLACA FIJACION SOPORTE ESPUMA END 2011        |
| 4    | 3552     | 3552     | ECROU EMBASE M5                                 | COLLAR HEX NUT BASIS NOTCHED M5                  | TUERCA CON VALONA EMBASE ENTALLADURA M5       |
| 5    | C415     | C415     | COLLIER ZEBRA 50 X 70                           | JULIBEE ZEBRA 50 X 70                            | ABRAZADERA ZEBRA 50 X 70                      |
| 6    | 3046     | 3046     | BRIDE SUPPORT DE FILTRE AIR END 2012            | BRIDE FILTER FIXATION RETAINER PLATE END 2012    | BRIDA PLACA FIJACION SOPORTE ESPUMA END 2012  |
| 7    | 3044     | 3044     | SUPPORT MOUSSE FILTRE END 2012                  | FILTER FOAM SUPPORT END 2012                     | SUPORTE ESPUMA FILTRO END 2012                |
| 7    | 6856     | 6856     | SUPPORT FILTRE SHERCO END EURO4                 | SUPORT FILTER END EURO4                          | SOPORTE CUERPO FILTRO END EURO4               |
| 8    | 4509     | 4509     | MOUSSE FILTRE END 125 / 250 / 300 2T            | FILTER FOAM END 125 / 250 / 300 2T               | ESPUMA FILTRO END 125 / 250 / 300 2T          |
| 9    | C429     | C429     | RONDELLE M6 X 25                                | WASHER M6 X 25                                   | ARANDELA M6 X 25                              |
| 10   | 3048     | 3048     | VIS DE FILTRE AIR END EVO                       | AIR FILTER SCREW END EVO                         | TORNILLO ESPUMA FILTRE END EVO                |
| 11   | 7108     | 7108     | MANCHON RACCORD ECHAP SILENCIEUX 250/300 SE EVO | RUBER INJECTION HOSE SILENCER END 250/300 SE EVO | GOMA ESCAPE END 250/300 SE EVO                |
| 12   | M308     | M308     | ECROU CLIP M6 0500500400                        | NUT CLIP M6                                      | TUERCA CLIP M6                                |
| 13   | 8130     | 8130     | SILENCIEUX END 250/300 2T FACTORY               | SILENCER END 250/300 2T FACTORY                  | SILENCOSO END 250/300 2T FACTORY              |
| 14   | 7138     | 7138     | ECHAPPEMENT RACING FMF END 250/300 2T EVO       | EXHAUST RACING FMF END 250/300 2T EVO            | ESCAPE RACING FMF END 250/300 2T              |
| 14   | 7106     | 7106     | ECHAPPEMENT CATA EU 4 END 250/300 2T EVO        | EU 4 CATALYSED EXHAUST END 250/300 2T EVO        | ESCAPE CATA END 250/300 2T EU 4               |
| 15   | 0271     | 0271     | RESSORT POT END                                 | SPRING EXHAUST END                               | MUELLE ESCAPE END                             |
| 16   | 0547     | 0547     | VIS TH EP 6 X 30                                | SCREW TH EP 6 X 30                               | TORNILLO TH EP 6 X 30                         |
| 17   | M306     | M306     | ECROU NYLSTOP M6 0368.6                         | NUT NYLSTOP M6                                   | TUERCA NYLSTOP M6                             |
| 18   | 0274     | 0274     | SILENT BLOC SILENCIEUX                          | SILENBLOC SILENCEUR                              | SILENBLOC SILENCIOSO                          |
| 19   | 3056     | 3056     | BAVETTE DE FILTRE END                           | BAVETTE FILTRE END                               | BAVETTE FILTRO END                            |
| 20   | 1687     | 1687     | VIS BHC EPAULE M5 X 10                          | SCREW BHC M5 X 10                                | TORNILLO ULS CON VALONA M5 X 10               |
| 21   | 0306     | 0306     | CAUTCHOUC DE MAINTIEN DE BEQUILLE END 450       | STAND SIDE RUBER END 450                         | GOMA CABALETE END 450                         |
| 22   | 7772     | 7772     | KIT RECHARGE SILENCIEUX 250-300 2T 2019         | MUFFLER REPACK KIT 250-300 2T 2019               | KIT RECARGA SILENCIOSA 250-300 2T 2019        |
| 23   | 4219     | 4219     | JOINT TORIQUE 44 X 3 ECHAPPEMENT VITON 250 END  | FKM ORING 44 X 3 EXHAUST SEAL 250 END 2T         | TORICA 44 X 3 ESCAPE VITON 250 END 2T         |
| 24   | H377     | H377     | VALVE AIS                                       | AIS VALVE                                        | VALVULA AIRE PARALELO                         |
| 25   | 1037     | 1037     | DURIT VALVE DE POT 610MM 50CC                   | AIS EXAUST TUBE 610MM 50CC                       | TUBOS VALVE AIS 610MM 50CC                    |

### Etrier frein arrière-avant / Front rear caliper / Pinzas freno trasero - delantero



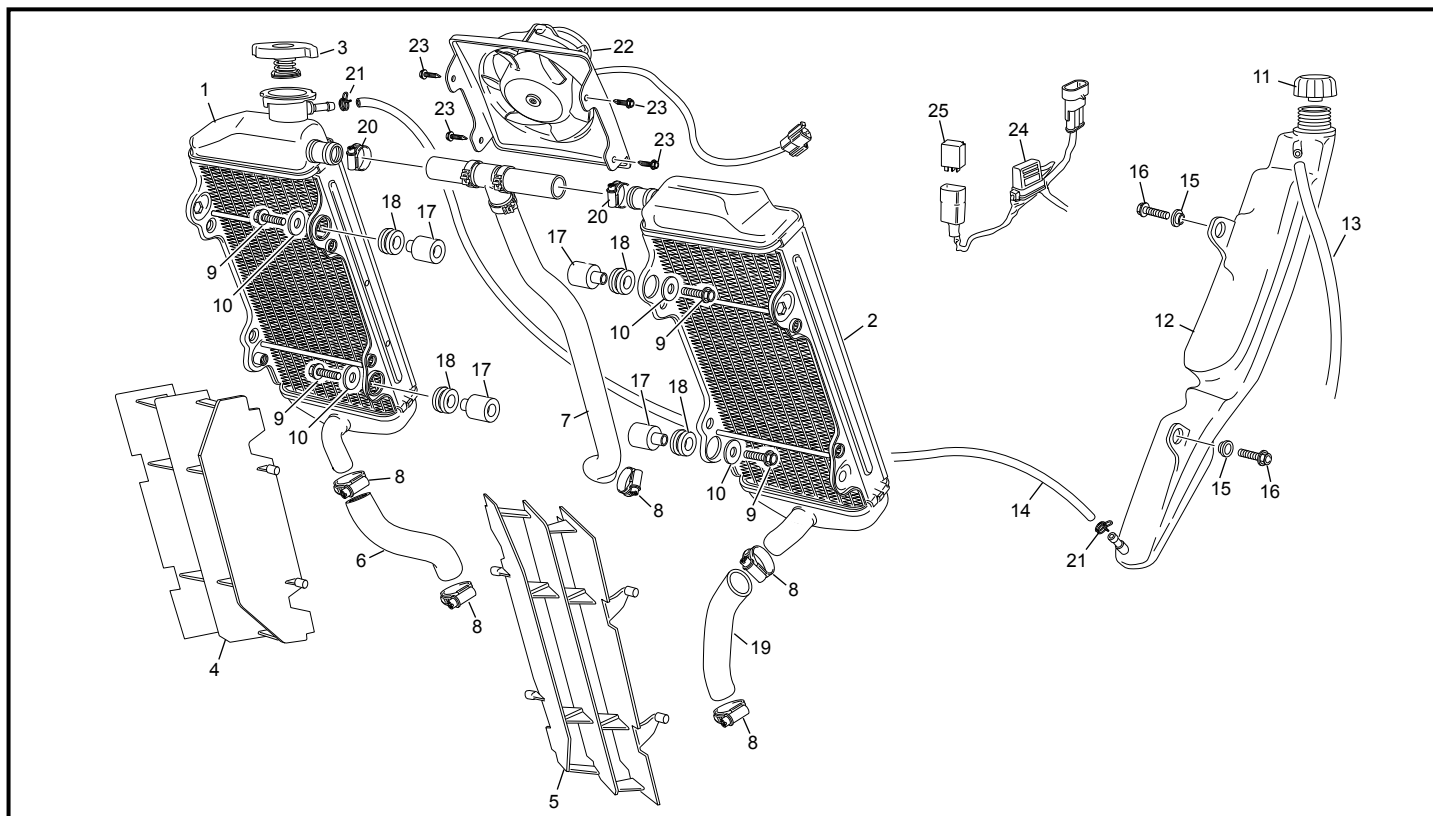
| POS. | 250 SC-R | 300 SC-R | FRANÇAIS                                      | ENGLISH                             | ESPAÑOL                                  |
|------|----------|----------|-----------------------------------------------|-------------------------------------|------------------------------------------|
| 1    | 3561     | 3561     | ETRIER FREIN AVANT BREMBO END                 | BREMBO FRONT CALIPER ASSY END       | PINZA FRENO DEL BREMBO END               |
| 2    | 3706     | 3706     | CACHE POUSSIÈRE                               | AXEL DUST COVER/ BOOTS              | PROTECCION                               |
| 3    | 3618     | 3618     | PROTECTION VIS DE PURGE END 12                | DUST COVER END 12                   | PROTECCIÓN TORNILLO DE PURGA END 12      |
| 4    | 3708     | 3708     | AXE DE FREIN AVANT BREMBO                     | PIN + RETAINER BREMBO               | PERNO BREMBO                             |
| 5    | 3709     | 3709     | PLAQUE ANTIVIBRATION DE FREIN AVANT BREMBO    | SPRING + STEEL CLIP BREMBO          | JUEGO DE PLACA BREMBO                    |
| 6    | 3710     | 3710     | PLAQUETTES DE FREIN AVANT BREMBO              | BRAKE PADS FRONT BREMBO             | JUEGO DE PASTILLAS FRENO DEL BREMBO      |
| 7    | 3559     | 3559     | ETRIER FREIN AR BREMBO END                    | REAR CALIPER BREMBO END             | PINZA FRENO TRASERA BREMBO END           |
| 8    | 3711     | 3711     | PLAQUETTES DE FREIN ARRIERE BREMBO            | BRAKE PADS REAR BREMBO              | JUEGO DE PASTILLAS FRENO TRASSERO BREMBO |
| 9    | 3707     | 3707     | VIS PURGE ETRIER DE FREIN AVANT BREMBO        | BLEEDER SCREW BREMBO                | TURCA SANGRADOR BREMBO                   |
| 10   | 3712     | 3712     | PLAQUE ANTI VIBRATION DE FREIN ARRIERE BREMBO | RETAINING SPRING SET BREMBO         | PLACA FIXACION FRENO TRASSERO BREMBO     |
| 11   | 3713     | 3713     | AXE DE PLAQUETTES DE FREIN ARRIERE BREMBO     | PIN + RETAINER REAR CALIPER BREMBO  | PERNO FIXACION FRENO TRASSERO BREMBO     |
| 12   | 3660     | 3660     | SUPPORT ETRIER FREIN BREMBO SACHS.            | BREMBO SACHS BRAKE CALIPPER SUPPORT | SOPORTE PINZA FRENO BREMBO SACHS         |
| 13   | 4056     | 4056     | PISTON ETRIER AV BREMBO END 12                | PISTON FRONT CALIPER BREMBO END 12  | PISTON PINZA DEL BREMBO END 12           |
| 14   | 4057     | 4057     | PISTON ETRIER AR BREMBO END                   | PISTON REAR CALIPER BREMBO END      | PISTON PINZA TRAS BREMBO END             |
| 15   | 4405     | 4405     | JOINT PISTON AV BREMBO                        | DEAL BREMBO FRONT                   | RETEN                                    |
| 16   | 4406     | 4406     | JOINT PISTON AR BREMBO                        | DEAL BREMBO REAR                    | RETEN                                    |
| 17   | 3639     | 3639     | PURGEUR BREMBO END 12                         | BLEEDER SCREW BREMBO                | TORNILLO DE PURGA BREMBO                 |
| 18   | 3640     | 3640     | RACCORD BANJO END 12                          | BANJO BOLT                          | TORNILLO BANJO BREMBO                    |

### Maitre cylindre frein avant - arrière / Master cylinder Front rear caliper / Bomba freno trasero - delantero



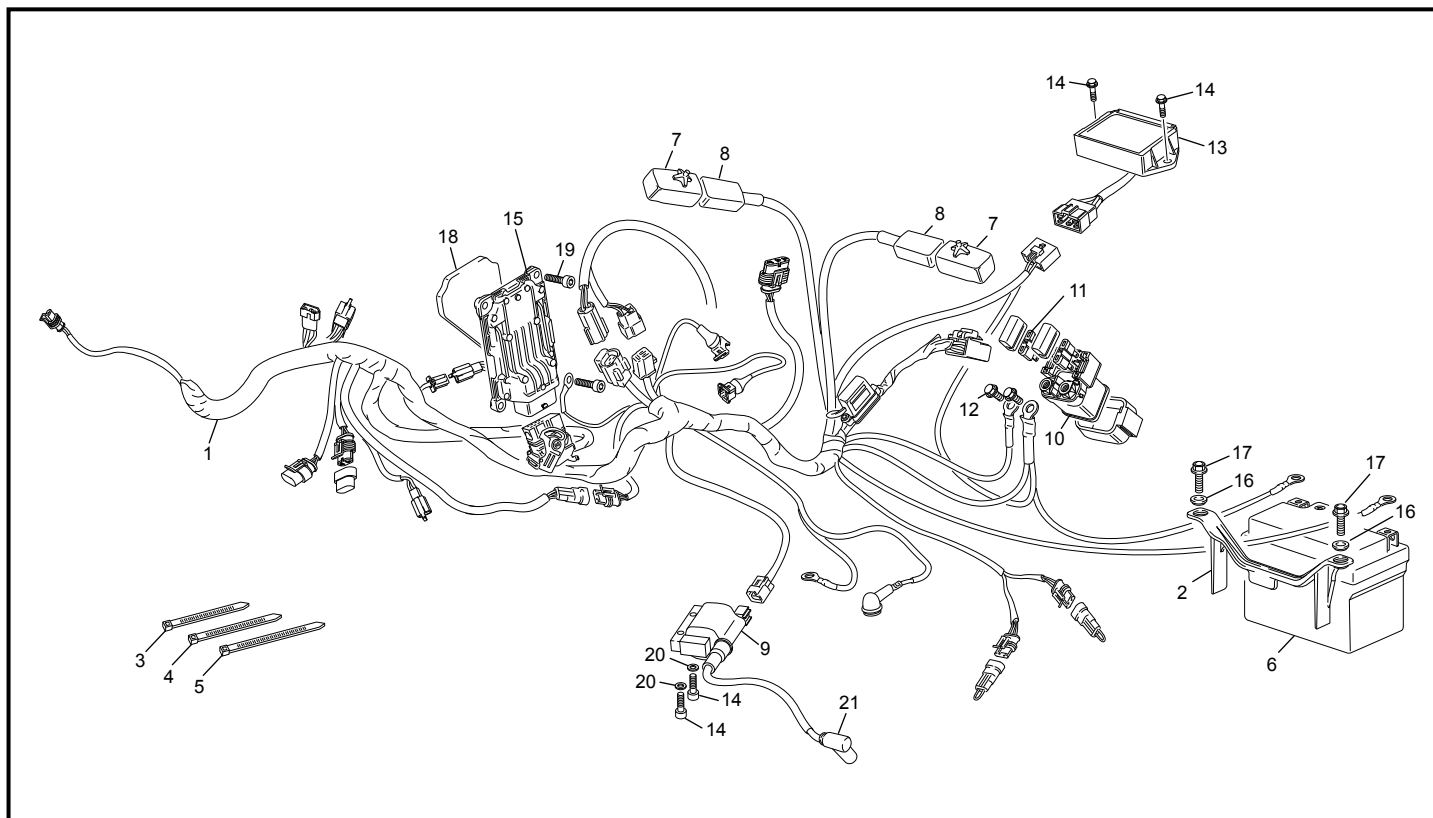
| POS. | 250 SC-R | 300 SC-R | FRANÇAIS                                          | ENGLISH                                         | ESPAÑOL                                         |
|------|----------|----------|---------------------------------------------------|-------------------------------------------------|-------------------------------------------------|
| 1    | 3560     | 3560     | POMPE FREIN AR END 2.5/5.1 12                     | REAR MASTER CYLINDER 2.5/5.1 12                 | BOMBA FRENO TRASERO 2.5/5.1 12                  |
| 2    | 3696     | 3696     | COUVERCLE DE MAITRE CYLINDRE AR COMPLET BREMBO    | REAR BRAKE CYLINDER SET COVER BREMBO            | TAPETA BOMBA FRENO TRASERO COMPLETO BREMBO      |
| 3    | 3695     | 3695     | JOINT DE MAITRE CYLINDRE AR BREMBO                | FOOT BRAKE CYLINDER GASKET                      | JUNTA BOMBA FRENO TRASERO                       |
| 4    | 5705     | 5705     | CONTACT FREIN AVANT BREMBO EVO                    | MICRO SWITCH BREMBO EVO                         | INTERRUPTOR FRENO DELANTERO BREMBO EVO          |
| 5    | 5712     | 5712     | VIS BRIDE DE FIXATION MAITRE CYLINDRE BREMBO      | CLAMP SCREW BREMBO                              | TORNILLO TAPA FIXACION BOMBA EMBRAGE BREMBO     |
| 6    | 5707     | 5707     | LEVIER DE FREIN AVANT AVEC REGLAGE BREMBO         | BRAKE LEVER WITH SETTING BREMBO                 | MANETA FRENO DELANTERO AJUSTABLE BREMBO         |
| 7    | 5708     | 5708     | PROTECTION LEVIER DE FREIN AVANT BREMBO           | PROTECTION CAP HAND BRAKE BREMBO                | GUARDAPOLVO MANETA FRENO DELANTERO BREMBO       |
| 8    | 5709     | 5709     | BOULON LEVIER DE FREIN AVANT BREMBO               | LEVER CSREW ASSEMBLY BREMBO                     | TORNILLO Y TUERCA MANETA FRENO DELANTERO BREMBO |
| 9    | 4061     | 4061     | VALVE ANTI BULLE EMBRAYAGE BREMBO                 | VALVE ANTI BUBLE CLUTCH BREMBO                  | VÁLVULA ANTI BURBUJA EMBRAGE BREMBO             |
| 10   | 5711     | 5711     | BRIDE DE FIXATION MAITRE CYLINDRE BREMBO          | CLAMP ASSEMBLY NATURE BREMBO                    | TAPA FIXACION BOMBA BREMBO                      |
| 11   | 5721     | 5721     | COUVERCLE POMPE BREMBO                            | CAP FRONT BREMBO                                | TAPETA BOMBA                                    |
| 12   | 5544     | 5544     | POMPE FREIN AV CPL END R 250/510 2015             | FRONT BRAKE MASTER CYLINDER END 2015            | BOMBA FRENO DEL BREMBO END 2015                 |
| 13   | 5713     | 5713     | KIT REPARATION MAITRE CYL.                        | KIT REPAIR FRONT MASTER CYLINDER                | KIT REPARACION BOMBA DEL                        |
| 14   | 4059     | 4059     | KIT REPARATION MAITRE CYL. FREIN AR BREMBO END 12 | PISTON SET REAR MASTER CYLINDER BREMBO END 12   | KIT REPARACION BOMBA TRAS BREMBO END 12         |
| 15   | 5543     | 5543     | POMPE EMB CPL BREMBO                              | CLUTCH MASTER CYLINDER ASSY                     | GRUPO BOMBA EMBRAGUE                            |
| 16   | 5714     | 5714     | PROTECTION VOIR 5708                              | PROTECTION CAP SE REF 5708                      | GOMA MANETA REF 5708                            |
| 17   | 5721     | 5721     | COUVERCLE POMPE BREMBO                            | CAP FRONT BREMBO                                | TAPETA BOMBA                                    |
| 18   | 4063     | 4063     | KIT REPARATION PISTON EMBRAYAGE BREMBO END 12     | KIT REPAIR PISTON CLUTCH BREMBO END 12          | KIT REPARACION BOMBA EMBRAGE BREMBO END 12      |
| 19   | 5716     | 5716     | TIGE DE POUSSE EMBRAYAGE BREMBO                   | PUSH ROD CLUTCH BREMBO                          | VARILLA EMBRAGE BREMBO                          |
| 20   | 4065     | 4065     | PIVOT DE LEVIER EMBRAYAGE BREMBO END 12           | SPRING GUIDE MC CLUTCH BREMBO END 12            | TORNILLO TUERCA MANETA EMBRAGE BREMBO END 12    |
| 21   | 5718     | 5718     | KIT ECROU DE FIXATION                             | LEVER SCREW KIT                                 | JUEGO TORNILLO TUERCA MANETA EMBRAGE            |
| 22   | 5719     | 5719     | LEVIER EMB BREMBO                                 | CLUTCH LEVER                                    | MANETA EMB                                      |
| 23   | 4404     | 4404     | AXE ET CACHE POUSSIERE                            | AXEL DUST COVER/ BOOTS                          | EJE FONDA                                       |
| 24   | 5717     | 5717     | PIVOT DE LEVIER EMBRAYAGE BREMBO                  | SPRING GUIDE MC CLUTCH BREMBO                   | TORNILLO TUERCA MANETA EMBRAGE BREMBO           |
| 25   | 5929     | 5929     | KIT PIVOT DE LEVIER FREIN BREMBO                  | SPRING GUIDE BRAKE MC SET BREMBO                | JUEGO TORNILLO TUERCA MANETA FRENO BREMBO       |
| 26   | 5720     | 5720     | VIS COUVERCLE BREMBO                              | SCREW CAP BREMBO                                | TORNILLO TAPA BOMBA                             |
| 27   | 5706     | 5706     | MENBRANE BREMBO MAITRE CYLINDRE EMBRAYAGE         | RUBBER COVER BREMBO CLUTCH MASTER CYLINDER      | GOMA DEL TAPA BREMBO EMBRAGE                    |
| 28   | 8387     | 8387     | MENBRANE BREMBO MAITRE CYLINDRE FREIN AVANT       | RUBBER COVER BREMBO FRONT BRAKE MASTER CYLINDER | GOMA DEL TAPA BREMBO FRENO DELANTERO            |

### Radiateur / Radiator / Radiador



| POS. | 250 SC-R | 300 SC-R | FRANÇAIS                                         | ENGLISH                                       | ESPAÑOL                                       |
|------|----------|----------|--------------------------------------------------|-----------------------------------------------|-----------------------------------------------|
| 1    | 7261     | 7261     | RADIATEUR DROIT 250/300 SE EVO                   | RIGHT RADIATOR 250/300 SE EVO                 | RADIATOR DER END 250/300 SE EVO               |
| 2    | 7262     | 7262     | RADIATEUR GAUCHE 250/300 SE EVO                  | LEFT RADIATOR 250/300 SE EVO                  | RADIATOR IZQ END 250/300 SE EVO               |
| 3    | 7524     | 7524     | BOUCHON RADIATEUR CRENELE 1.8 BAR                | RADIATOR TAP 1.8 BAR                          | TAPON RADIADOR 1.8 BAR                        |
| 4    | 4621     | 4621     | GRILLE RADIATEUR D END 2013                      | RIGHT RADIATOR PROTECTOR END 2013             | GRILLA RADIATOR DER END 2013                  |
| 5    | 4622     | 4622     | GRILLE RADIATEUR G END 2013                      | LEFT RADIATOR PROTECTOR END 2013              | GRILLA RADIADOR IZQ END 2013                  |
| 6    | 7278     | 7278     | DURITE INF DROITE 250/300 SE EVO                 | RUBBER TUBE INF RIGHT 250/300 SE EVO          | MANGUITO INF DER 250/300 SE EVO               |
| 7    | 7268     | 7268     | DURITE SUPERIEUR 250 END 2T EVO                  | RUBBER TUBE SUP 250 END 2T EVO                | MANGUITO SUP 250 END 2T EVO                   |
| 8    | H262     | H262     | COLLIER CLIC 86/245 25/27                        | COLLAR 86/245 25/27                           | ABRAZADERA 86/245 25/27                       |
| 9    | 0546     | 0546     | VIS TH EP 6 X 20                                 | SREW TH EP 6 X 20                             | TORNILLO TH EP 6 X 20                         |
| 10   | 4939     | 4939     | RONDELLE M6 X 22 INOX                            | WASHER M6 X 25 INOX                           | ARANDELA M6 X 25 INOX                         |
| 11   | 0748     | 0748     | BOUCHON VASE EXPANSION END 450                   | EXPANSION TANK STOPPER END 450                | TAPON VASO EXPANSION END 450                  |
| 12   | 3079     | 3079     | VASE D' EXPANSION END                            | EXPANSION TANK END                            | VASO EXPANSION END                            |
| 13   | 3903     | 3903     | DURITE EXPANSION L260 250 300 END 2012           | EXPANSION PIPE L260 250 300 END 2012          | TUBO EXPANSION L260 250 300 END 2012          |
| 14   | 3910     | 3910     | DURITE EXPANSION RADIATEUR L900 250 300 END 2012 | EXPANSION PIPE RADIATOR L900 250 300 END 2012 | TUBO EXPANSION RADIDOR L900 250 300 END 2012  |
| 15   | 0565     | 0565     | ENTRETOISE INOX CARROSSERIE 450 END              | SPACER INOX BOODY 450 END                     | CASQUILLO INOX CARROCERIA 450 END             |
| 16   | 0554     | 0554     | VIS TH EP 5 X 20                                 | SREW TH EP 5 X 20                             | TORNILLO TH EP 5 X 20                         |
| 17   | 3779     | 3779     | ENTRETOISE RADIATEUR END 4T                      | SPACER RADIATOR END 4T                        | CASQUILLO RADIADOR END 4T                     |
| 18   | H059     | H059     | SILENT BLOC RADIATEUR                            | RADIATOR SILENTBLOCK                          | SILENTBLOCK RADIADOR                          |
| 19   | 7267     | 7267     | DURITE INF GAUCHE 250 END 2T EVO                 | RUBBER TUBE INF LEFT 250 END 2T EVO           | MANGUITO INF IZQ 250 END 2T EVO               |
| 20   | H261     | H261     | COLLIER CLIC 86/230 23.5/25.5                    | COLLAR 86/230 23.5/25.5                       | ABRAZADERA 86/230 23.5/25.5                   |
| 21   | 5934     | 5934     | COLLIER SERRAGE DOUBLE FIL 10.4 - 11.0           | HOSE SEEGER 10.4 - 11.0                       | SEEGER TUBOS 10.4 - 11.0                      |
| 22   | 3066     | 3066     | VENTILATEUR END 2011                             | FAN END 2011                                  | VENTILADOR END 2011                           |
| 23   | 3285     | 3285     | VIS AUTOFREUSE                                   | SCREW ZEBRA 7504                              | TORNILLO ZEBRA 7504                           |
| 24   | 3577     | 3577     | FAISCEAU ADAPTATION VENTILATEUR END 250/300 2012 | WIRE HARNESS FOR FAN END 250/300 2012         | INSTAL. ELECTRICA VENTILADOR END 250/300 2012 |
| 25   | 5095     | 5095     | RELAIS ECU SYN END                               | SYN ECU RELAY END                             | RELE ECU SYN END                              |

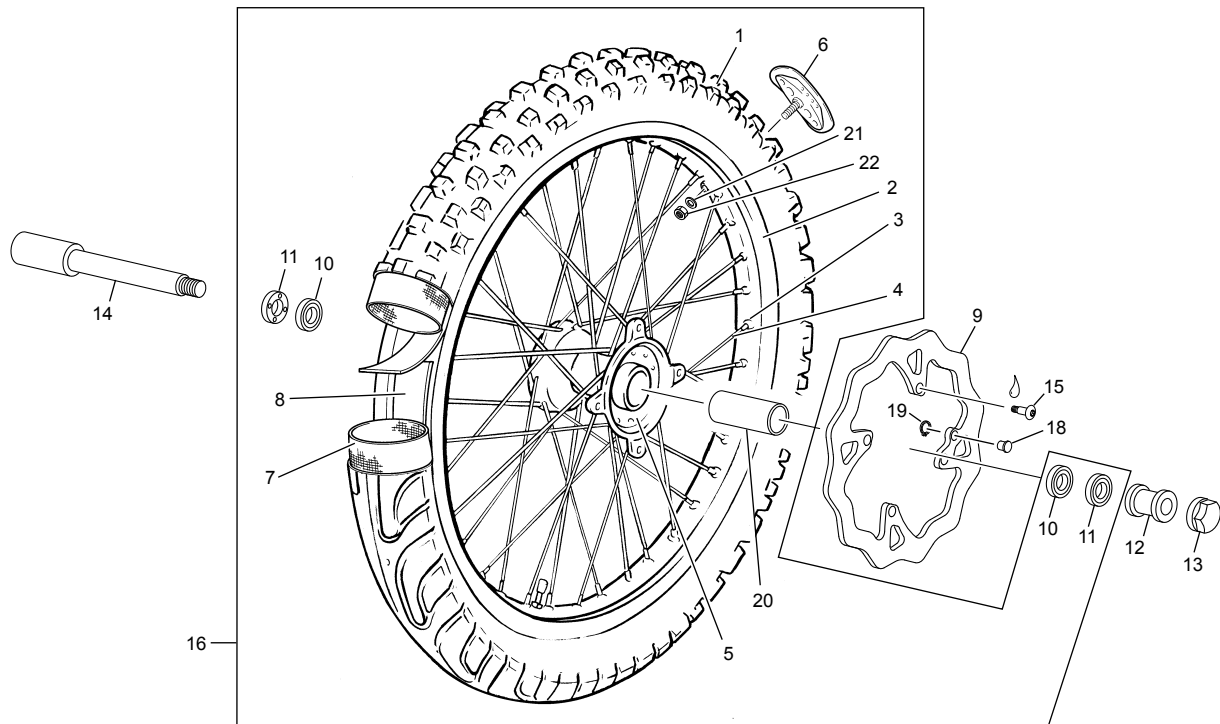
### Faisceau électrique / Electrical system / Instalación eléctrica



| POS. | 250 SC-R | 300 SC-R | FRANÇAIS                                 | ENGLISH                                   | ESPAÑOL                                       |
|------|----------|----------|------------------------------------------|-------------------------------------------|-----------------------------------------------|
| 1    | 7107     | 7107     | FAISCEAU ELECT GENERAL ET CDI END 2T EVO | ELECTRIC CABLE GENERAL AND CDI END 2T EVO | INSTALACION ELECTRICA GENERAL CDI END 2T EVO  |
| 2    | 7512     | 7512     | CALE BATERIE LITHIUM SE SEF              | LITHIUM BATTERY HOLDER SE SEF             | SUPPORTO BATERIE ELITHIUM SE SEF              |
| 3    | M330     | M330     | COLLIER RISLAN 178 X 4.8                 | PLASTIC CLAMPS 178 X 4.8                  | ABRAZADERA 178 X 4.8                          |
| 4    | C441     | C441     | COLLIER RYSLAN 280 X 4.8                 | PLASTIC CLAMPS 280 X 4.8                  | ABRAZADERA 280 X 4.8                          |
| 5    | M331     | M331     | COLLIER RISLAN100 X 2.5                  | PLASTIC CLAMPS 100 X 2.5                  | ABRAZADERA 100X 2.5                           |
| 6    | 7335     | 7335     | BATTERIE LTZ5S LION                      | BATTERY LTZ5S LION                        | BATERIE LTZ5S LION                            |
| 7    | 1291     | 1291     | SUPPORT RELAIS END 450                   | HOLDER RELAY END 450                      | SUPPORTO RELE END 450                         |
| 8    | 5095     | 5095     | RELAIS ECU SYN END                       | SYN ECU RELAY END                         | RELE ECU SYN END                              |
| 9    | 8308     | 8308     | BOBINE END EVO SHERCO                    | IGNITION COIL WITH CABLE END EVO SHERCO   | BOBINA END EVO SHERCO                         |
| 10   | 0367     | 0367     | RELE DEMARREUR END                       | STARTER RELEY END                         | STARTER RELEY END                             |
| 11   | 0661     | 0661     | FUSIBLE 30 A LITLIFUSE                   | FUSIBLE 30 A LITLIFUSE                    | FUSIBLE 30 A LITLIFUSE                        |
| 12   | 0592     | 0592     | VIS TH EP 6 X 8                          | SCREW TH EP 6 X 8                         | TORNILLO TH EP 6 X 8                          |
| 13   | 7215     | 7215     | REGULATEUR END EVO                       | REGULATOR END EVO                         | REGULADOR END EVO                             |
| 14   | 0656     | 0656     | VIS TH EP 6 X 16                         | SREW TH EP 6 X 16                         | TORNILLO TH EP 6 X 16                         |
| 15   | 3459     | 3459     | ECU SYN END M3C                          | ECU SYN END M3C                           | ECU SYN END M3C                               |
| 16   | 3096     | 3096     | ENTRETOISE CARROSSERIE 2.3 END 2012      | SPACER 2.3 INOX BOODY END 2011            | CASQUILLO 2.3 INOX CARROCERIA END 2011        |
| 17   | 553      | 553      | KIT PURGE BRAKTEC M8                     | BLEENDING SCREW KIT BRAKTEC M8            | KIT PURGA BRAKTEC M8                          |
| 18   | 4474     | 4474     | MOUSSE ECU M3C END                       | FOAM ECU M3C END                          | ESPUMA ECU M3C END                            |
| 19   | 0659     | 0659     | VIS CHC M5 X 25 PRE IMPREGNEE FAIBLE     | SCREW CHC M5 X 25 PRE IMPREGNEE FAIBLE    | TORNILLO M5 X 25 DIN 912 PRE IMPREGNEE FAIBLE |
| 20   | M317     | M317     | RONDELLE 6 X12 0407 6                    | WASHER X 6                                | ARANDELA 6 DIN 125 A                          |
| 21   | 7393     | 7393     | ANTIPARASITE NGK CPL SE                  | NGK SPARK PLUG CUP ASSY SE                | CTO PIPA BUJIA SE                             |

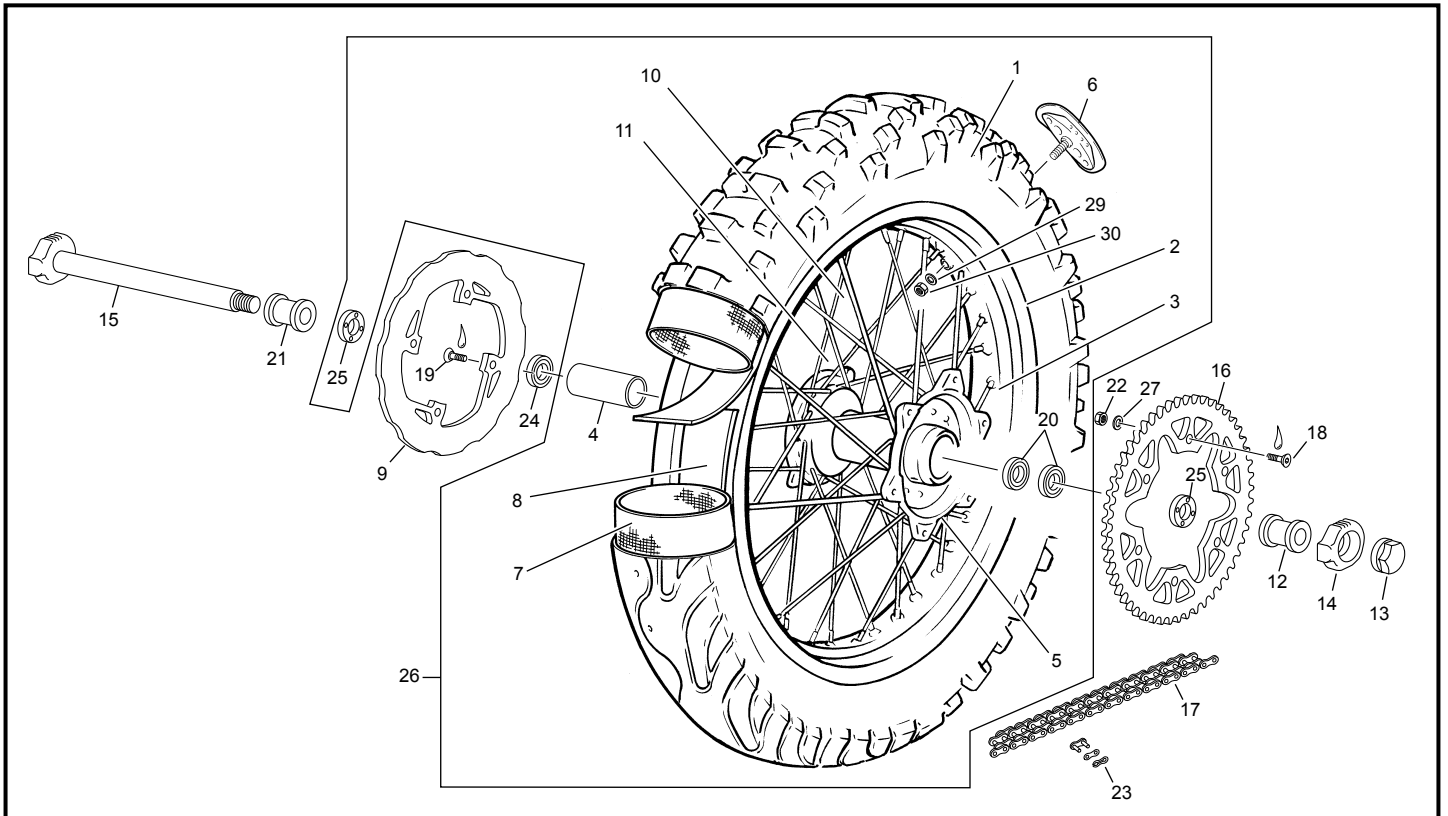


### Roue avant / Front wheel / Rueda delantera



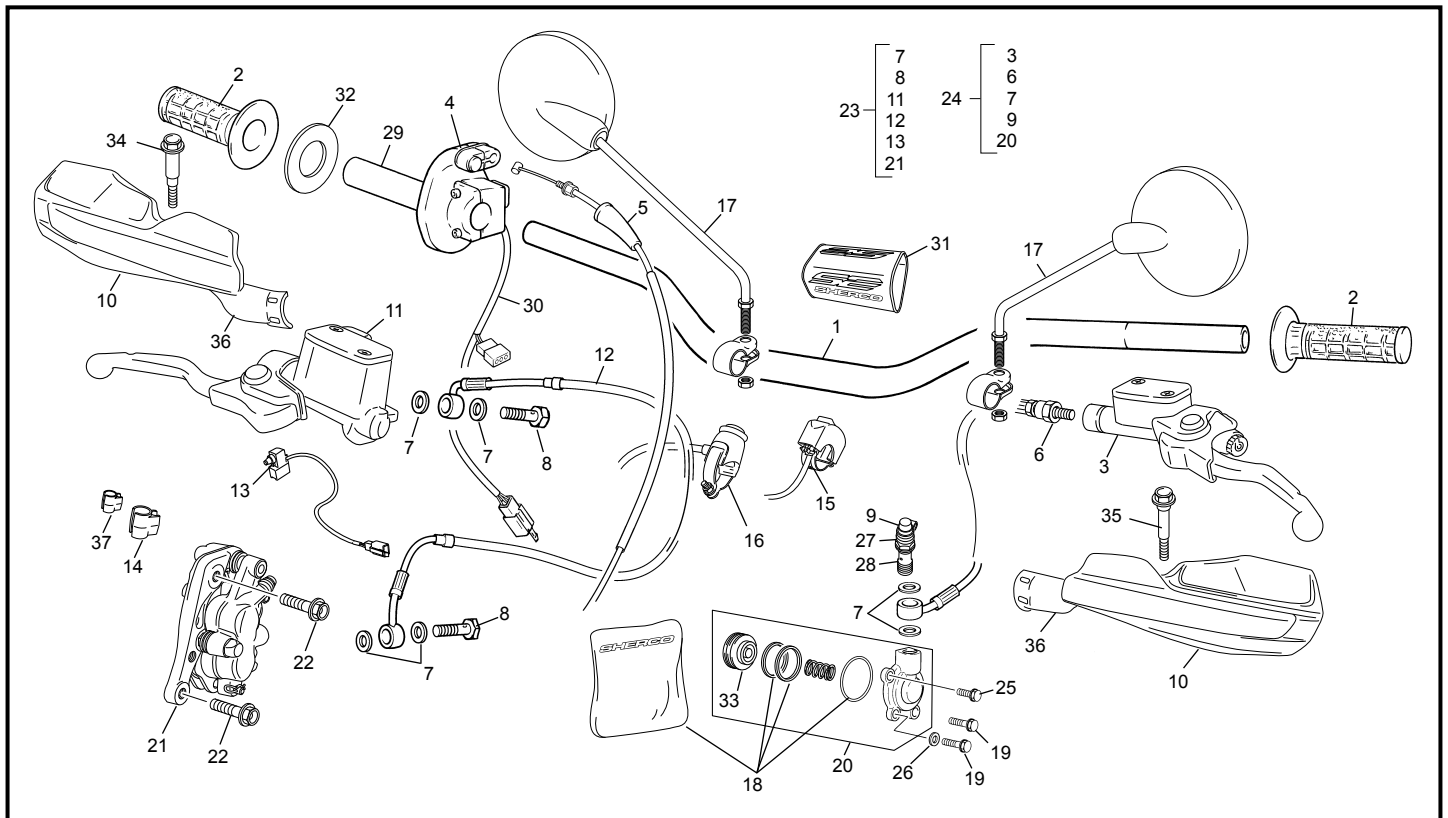
| POS. | 250 SC-R | 300 SC-R | FRANÇAIS                                        | ENGLISH                                           | ESPAÑOL                                      |
|------|----------|----------|-------------------------------------------------|---------------------------------------------------|----------------------------------------------|
| 1    | 7052     | 7052     | PNEU AVANT 90/90-21 54M TT GEOMAX AT81F         | FRONT TYRE 90/90-21 54M TT GEOMAX AT81F           | NEUMATICO DEL 90/90-21 54M TT GEOMAX AT81F   |
| 2    | 7426     | 7426     | ROUE AVANT XPLOR BLEU SANS DISQUE CROSS COUNTRY | FRONT WHEEL XPLOR BLUE WITHOUT DISC CROSS COUNTRY | RUEDA DEL XPLOR AZUL SIN DISCO CROSS COUNTRY |
| 3    | 6181     | 6181     | ECROU RAYON ALUMINIUM M5/M4                     | SPOKE HEAD ALOYALUMINIUM M5/M4                    | CABEZA RADIO ALUMINIO M5/M4                  |
| 4    | 6183     | 6183     | RAYON AVANT 3.5/3/6/3.5 233 SE/SEF              | SPOKE FRONT 3.5/3/6/3.5 233 SE/SEF                | RADIO DELANTERO 3.5/3/6/3.5 233 SE/SEF       |
| 5    | 0822     | 0822     | MOYEU COMPLET AV SM 450                         | HUB SM 450                                        | BUJE DEL CPL SM 450                          |
| 6    | 0311     | 0311     | GRIPSTER 1.6 END 450                            | TYRE STAY END1.60                                 | AGARRACUBERTIAS END 450                      |
| 7    | 0313     | 0313     | CHAMBRE OXIA 2.75/3.00-21 80 / 100 - 21         | TUBE OXIA 2.75/3.00-21 80 / 100 - 21              | CUBIERTAS 21 END/MX 2.75/3.00-21             |
| 8    | 0314     | 0314     | FOND JANTE AV 21 END 450                        | RIM RUBBER BAND 21 END 450                        | FONDO LLANTAS 21 END 450                     |
| 9    | 7395     | 7395     | DISQUE FREIN AV XP FACTORY                      | FRONT BREAK DISC XP FACTORY                       | DISCO FRENO DEL XP FACTORY                   |
| 10   | 0175     | 0175     | ROULEMENT BILLE 6004.2RSH/C3                    | BERING BALL 6004.2RSH/C3                          | COJINETE 6004.2RSH/C3                        |
| 11   | 0706     | 0706     | JOINT DOUBLE LEVRE 25 X 42 X 7                  | SEAL 25 X 42 X 7                                  | RETEN 25 X 42 X 7                            |
| 12   | 6750     | 6750     | ENTRETOISE ROUE AVANT XPLOR / KYB               | FRONT WHEEL SPACER XPLOR / KYB                    | CASQUILLO RUEDA DEL XPLOR / KYB              |
| 13   | 0316     | 0316     | ECROU ROUE AVANT END 450                        | FRONT WHEEL BOLT END 450                          | TUERCA RUEDA DEL END 450                     |
| 14   | 6759     | 6759     | AXE DE ROUE AVANT XPLOR                         | FRONT WHEEL AXEL XPLOR                            | EJE RUEDA DEL XPLOR                          |
| 15   | 0452     | 0452     | VIS SPECIALE DISQUE END 450                     | SCEW SPECIAL BRAKE DISC END 450                   | TORNILLO ESPECIAL DISCO FRENO END 450        |
| 16   | 6763     | 6763     | ROUE AVANT XP BLEU SANS DISQUE                  | FRONT WHEEL XP BLUE WITHOUT DISC                  | RUEDA DEL XP AZUL SIN DISCO                  |
| 18   | 4529     | 4529     | AIMANT CAPTEUR COMPTEUR TRAIL TECH              | MAGNETIC BOLT TRAIL TECH                          | IMAN SENSOR CONTADOR TRAIL TECH              |
| 19   | 4603     | 4603     | CIRCLIP AIMANT D9 TRAIL TECH                    | CIRCLIP D9                                        | CIRCLIP D9                                   |
| 20   | 4972     | 4972     | ENTRETOISE MOYEU AV 250/510 END                 | FRONT HUB SPEACER 250/510 END                     | SEPARADOR BUJE DEL 250/510 END               |
| 21   | 5497     | 5497     | RONDILLE GROSVIER M8 ZI                         | WASHER GROSVIER M8 ZI                             | ARRANDELA GROSVIER M8 ZI                     |
| 22   | 3481     | 3481     | ECROU BAS M8 ZI BLANC                           | NUT M8                                            | TUERCA M8                                    |

### Roue arrière / Rear wheel / Rueda trasera



| POS. | 250 SC-R | 300 SC-R | FRANÇAIS                                      | ENGLISH                                                   | ESPAÑOL                                     |
|------|----------|----------|-----------------------------------------------|-----------------------------------------------------------|---------------------------------------------|
| 1    | 7391     | 7391     | PNEU AR 140 X 18 70R R TT MEDIUM              | BACK TYRE140 X 18 70R R TT                                | NEUMATCO TRAS 140 X 18 70R R TT             |
| 2    | 5920     | 5920     | JANTE BLEUE AR 2,15 X18 END                   | BLUE REAR RIM 2.15 X18 END                                | LLANTA AZUL TRAS 2.15 X18 END               |
| 3    | 6182     | 6182     | ECROU RAYON ALUMINIUM M5/M4.5                 | SPOKE HEAD ALOYALUMINIUM M5/M4.4                          | CABEZA RADIO ALUMINIO M5/M4.5               |
| 4    | 4973     | 4973     | ENTRETOISE MOYEU AR 250/510 END               | REAR HUB SPEACER 250/510 END                              | SEPARADOR BUJE TRAS 250/510 END             |
| 5    | 0823     | 0823     | MOYEU COMPLET AR SM                           | BACK HUB SM                                               | BUJE TRAS SM                                |
| 6    | 3576     | 3576     | GRIPSTER RACING 2.15" AR END 450              | RACINGTYRE STAY BACK END 2.15"                            | AGARRACUBIERTAS RACING TRAS END 450         |
| 7    | 0324     | 0324     | CHAMBRE AIR 18 END 250/510                    | TUBE OXIA 4.25/4.50-18 140/80-18                          | CAMARA 18 END 250/510                       |
| 8    | 0325     | 0325     | FOND JANTE AR 18 END 450                      | BACK RIM RUBBER 18 END 450                                | FONDO LLANTA 18 END 450                     |
| 9    | 3789     | 3789     | DISQUE FREIN AR END 250/300 RACING PLEIN 2012 | REAR BREAK FULL DISC END 2012                             | DISCO FRENO TRAS END 2012                   |
| 10   | 6633     | 6633     | RAYON POSTERIEUR 4/35./4 L 193                | ECO ZING SPOKE 4/3.5/4 193 MM THREAD MM18 NECK 2 BEND 171 | RADIO TRASERO 4/35./4 L 193                 |
| 11   | 6634     | 6634     | RAYON POSTERIEUR 4/35./4 L 197                | ECO ZING SPOKE 4/3.5/4 197 MM THREAD MM18 NECK 3 BEND 171 | RADIO TRASERO 4/35./4 L 193                 |
| 12   | 0343     | 0343     | ENTRETOISE ROUE AR GAUCHE END 450             | REAR WHEEL SPACER LEFT END 450                            | CASQUILLO RUEDA TRAS IZQ END 450            |
| 13   | 0329     | 0329     | ECROU ROUE AR                                 | REAR BOLT WHEEL                                           | TUERCA RUEDA TRAS                           |
| 14   | 0327     | 0327     | TENSEUR CHAINE DROIT END 450                  | RIGHT CHAIN TENSOR END 450                                | TENSOR CADENA DER END 450                   |
| 15   | 0326     | 0326     | AXE DE ROUE AR END                            | REAR WHEEL AXEL END                                       | EJE RUEDA TRAS END                          |
| 16   | 0331     | 0331     | COURONNE AR 48 D END 450                      | REAR SPROCKET 48 T END 450                                | CORONA 48D END 450                          |
| 16   | 1966     | 1966     | COURONNE AR 49 D END                          | REAR SPROCKET 49 T END                                    | CORONA 49D END                              |
| 16   | 1967     | 1967     | COURONE AR 50 D END 450                       | REAR SPROCKET 50 T END 450                                | CORONA 50 D END 450                         |
| 17   | 5065     | 5065     | CHAINE 114M END                               | CHAIN 114M END                                            | CADENA 114M END                             |
| 18   | 0454     | 0454     | VIS SPECIALE COURONNE END 450                 | SCREW SPECIAL SPROCKET END 450                            | TORNILLO ESPECIAL CORONA END 450            |
| 19   | 0452     | 0452     | VIS SPECIALE DISQUE END 450                   | SCREW SPECIAL BRAKE DISC END 450                          | TORNILLO ESPECIAL DISCO FRENO END 450       |
| 20   | 0716     | 0716     | ROULEMENT 6005 2RSH 25X47X12 END 450          | BEARING 6005 2RSH 25X47X12                                | RODAMIENTO 6005 2RSH 25X47X12               |
| 21   | 3495     | 3495     | ENTRETOISE ROUE AR DROITE END 2012            | REAR WHEEL SPACER RIGHT END 2012                          | CASQUILLO RUEDA TRAS DER END 2012           |
| 22   | M305     | M305     | ECROU NYLSTOP M8 0368.8                       | NUT NYLSTOP M8                                            | TUERCA NYLSTOP M8                           |
| 23   | R473     | R473     | ATTACHE RAPIDE DE CHAINE DID END              | CONNECTING LINK DID END                                   | ENGANCHE CADENA END DID                     |
| 24   | 0707     | 0707     | ROULEMENT 63005 2RS 25X47X16                  | BEARING 63005 2RS 25X47X16                                | RODAMIENTO 63005 2RS 25X47X16               |
| 25   | 0718     | 0718     | JOINT LEVRE 32X47X7 END 450                   | OIL SEAL 32X47X7                                          | RETEN 32X47X7                               |
| 26   | 7582     | 7582     | ROUE ARRIERE END 450 BLEU NUJ RAYONS EVO      | REAR WHEEL END 450 BLUE NAKED SPOKE EVO                   | RUEDA TRAS END 450 AZUL SIN DISCO RADIO EVO |
| 27   | C430     | C430     | RONDELLE M8                                   | WASHER M8                                                 | ARANDELA M8                                 |
| 29   | 5497     | 5497     | RONDELLE GROSVER M8 ZI                        | WASHER GROSVER M8 ZI                                      | ARRANDELA GROSVER M8 ZI                     |
| 30   | 3481     | 3481     | ECROU BAS M8 ZI BLANC                         | NUT M8                                                    | TUERCA M8                                   |

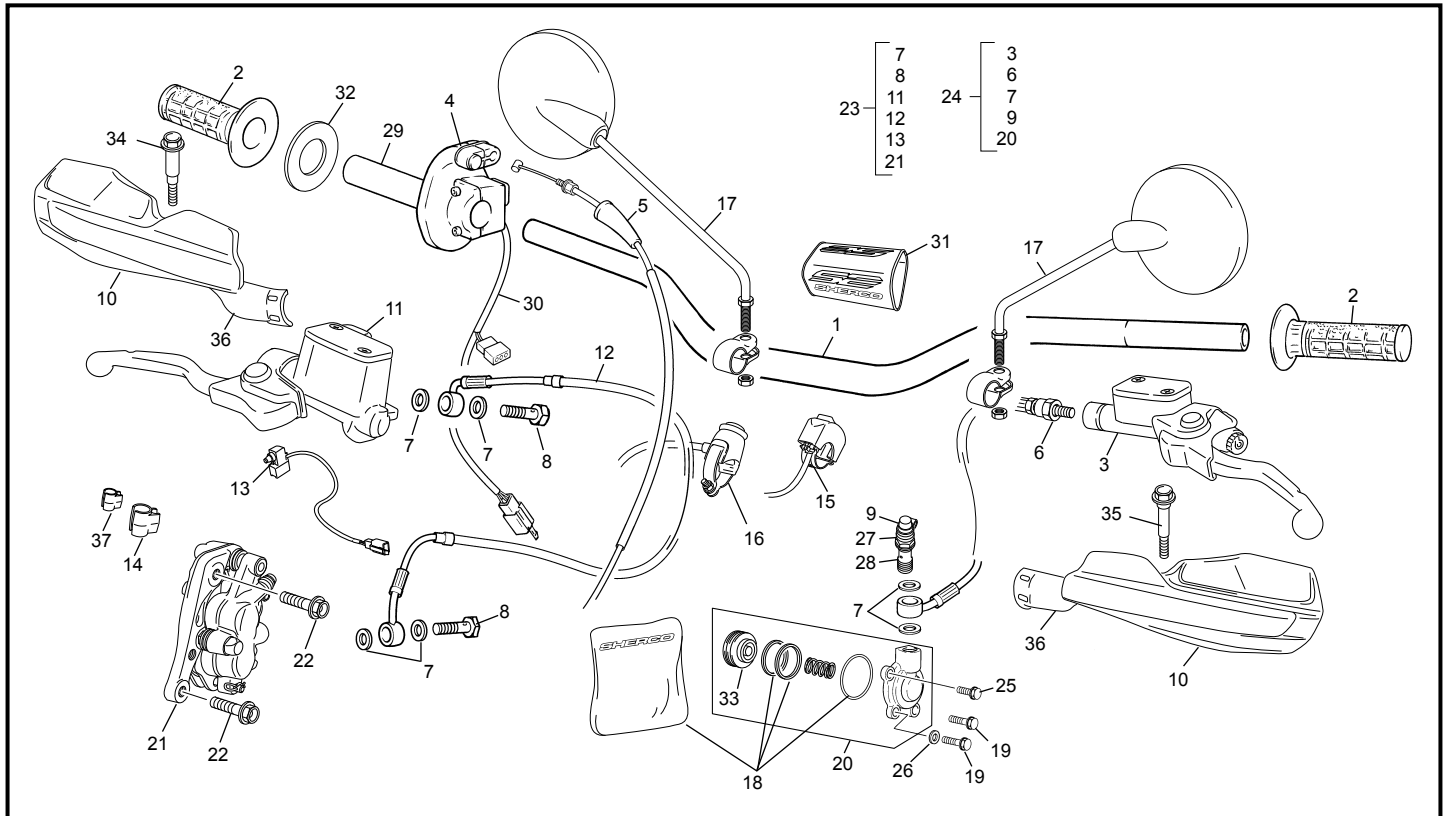
### Guidon / Handlebar / Manillar



| POS. | 250 SC-R | 300 SC-R | FRANÇAIS                              | ENGLISH                              | ESPAÑOL                                      |
|------|----------|----------|---------------------------------------|--------------------------------------|----------------------------------------------|
| 1    | 6978     | 6978     | GUIDON NOIR ANTHRACITE END EVO        | BLACK ANTHRACITE HANDLE BAR END EVO  | MANILLAR ANTRACITA END 450                   |
| 2    | 6100     | 6100     | POIGNEE SHERCO PAIRE NOIR BLANC       | GRIPS SET SHERCO BLACK WITHE         | JUEGO EMPUNADURAS SHERCO NEGRA BLANCO        |
| 3    | 6868     | 6868     | POMPE EMB CPL BREMBO 9 MM             | CLUTCH MASTER CYLINDER ASSY 9 MM     | GRUPO BOMBA EMBRAGUE 9MM                     |
| 4    | 4386     | 4386     | COMMANDE DE GAZ END                   | THROTTLE GAZ END                     | MANDO GAS END                                |
| 5    | 4425     | 4425     | CABLE DE GAZ END 125/250/300          | THROTTLE WIRE END 125/250/300        | CABLE DE GAS END 125/250/300                 |
| 6    | 3617     | 3617     | DURITE EMBRAYAGE END 125/250/300      | CLUTCH HOSE 125/250/300              | LATIGUILLO EMBRAGUE 125/250/300              |
| 7    | 3620     | 3620     | RONDELLE BANJO END BREMBO             | COPPER WASHER END BREMBO             | ARANDELLA BANJO END BREMBO                   |
| 8    | 3619     | 3619     | VIS RACCORD BANJO END 2.5/3.0 12      | BANJO BOLT END 12                    | TORNILLO RACORD END 12                       |
| 9    | 3618     | 3618     | PROTECTION VIS DE PURGE END 12        | DUST COVER END 12                    | PROTECCIÓN TORNILLO DE PURGA END 12          |
| 10   | 7960     | 7960     | PARES MAINS 2020 SHERCO JEU SE SEF    | HAND GUARD 2020 SHERCO SET END       | PARA MANO 2020 JUEGO SHERCO END              |
| 11   | 5544     | 5544     | POMPE FREIN AV CPL END R 250/510 2015 | FRONT BRAKE MASTER CYLINDER END 2015 | BOMBA FRENO DEL BREMBO END 2015              |
| 12   | 3563     | 3563     | DURITE FREIN AV END 2.5/5.1 12        | FRONT BRAKE HOSE END 2.5/5.1 12      | LATIGUILLO FRENO DELANTERO END 2.5/5.1 12    |
| 13   | 3697     | 3697     | CONTACT FREIN AVANT BREMBO            | CONTACT FRONT BRAKE LIGHT BREMBO     | INTERRUPTOR FRENO DELANTERO BREMBO           |
| 14   | 6636     | 6636     | CLIP FIXATION CABLE COMPTEUR GRAND    | WIRE FIXING CLIP BIG                 | CLIP FIXACION CABLE CUENTAQUILOMETROS GRANDE |
| 15   | 3507     | 3507     | COMMUTATEUR PHARE RACING END          | COMMAND LIGHT RACING END             | CONMUTADOR FARO RACING END                   |
| 16   | 3658     | 3658     | BOUTON STOP MOTEUR ENDURO             | STOP ENGINE ENDURO                   | STOP MOTOR EN DURO                           |
| 17   | S232     | S232     | RETROVISEUR                           | DRIVING MIRROR                       | RETROVISOR                                   |
| 18   | 8381     | 8381*    | KIT REPARATION PISTON EMBRAYAGE       | CLUTCH MASTER CYLINDER REPAIR KIT    | KIT REPARACIÓN BOMBA EMBRAGUE                |
| 19   | 0656     | 0656     | VIS TH EP 6 X 16                      | SREW TH EP 6 X 16                    | TORNILLO TH EP 6 X 16                        |
| 20   | 8131     | 8131*    |                                       |                                      |                                              |
| 21   | 3561     | 3561     | ETRIER FREIN AVANT BREMBO END         | BREMBO FRONT CALIPER ASSY END        | PINZA FRENO DEL BREMBO END                   |
| 22   | 4620     | 4620     | VIS TH EP M8 X 32 ETRIER BREMBO       | SCREW TH EP M8 X 32                  | TORNILLO TH EP M8 X 32                       |
| 23   | 5540     | 5540     | GROUPE FREIN AVANT COMPL END          | FRONT BREAK SYSTEM END               | CTO FRENO DEL END                            |
| 24   | 8309     | 8309*    | GROUPE EMBRAYAGE COMPLET              | COMPLETE CLUTCH HYDRAULIC SYSTEM     | CTO. EMBRAGUE                                |
| 25   | 0943     | 0943     | VIS TH EP 6 X 12                      | SCREW TH EP M6 X 12                  | TORNILLO TH EP M6 X 12                       |
| 26   | M317     | M317     | RONDELLE 6 X12 0407 6                 | WASHER X 6                           | ARANDELA 6 DIN 125 A                         |
| 27   | 3639     | 3639     | PURGEUR BREMBO END 12                 | BLEEDER SCREW BREMBO                 | TORNILLO DE PURGA BREMBO                     |
| 28   | 3640     | 3640     | RACCORD BANJO END 12                  | BANJO BOLT                           | TORNILLO BANJO BREMBO                        |
| 29   | 4974     | 4974     | TUBE COMMANDE DE GAZ END MM           | PIPE THROTTLE CONTROL END            | TUBO MANDO DE GAS END                        |
| 30   | 4975     | 4975     | CONNECTEUR DOUBLE COURBE              | SWITCH DOBLE CURVE                   | CONECTADOR DOBLE ENCORVA                     |
| 31   | 7394     | 7394     | MOUSSE GUIDON SE SEF FACTORY JAUNE    | FOAM HANDLEBAR YELLOW FACTORY        | ESPUMA MANILLAR AMARILLO FACTORY             |

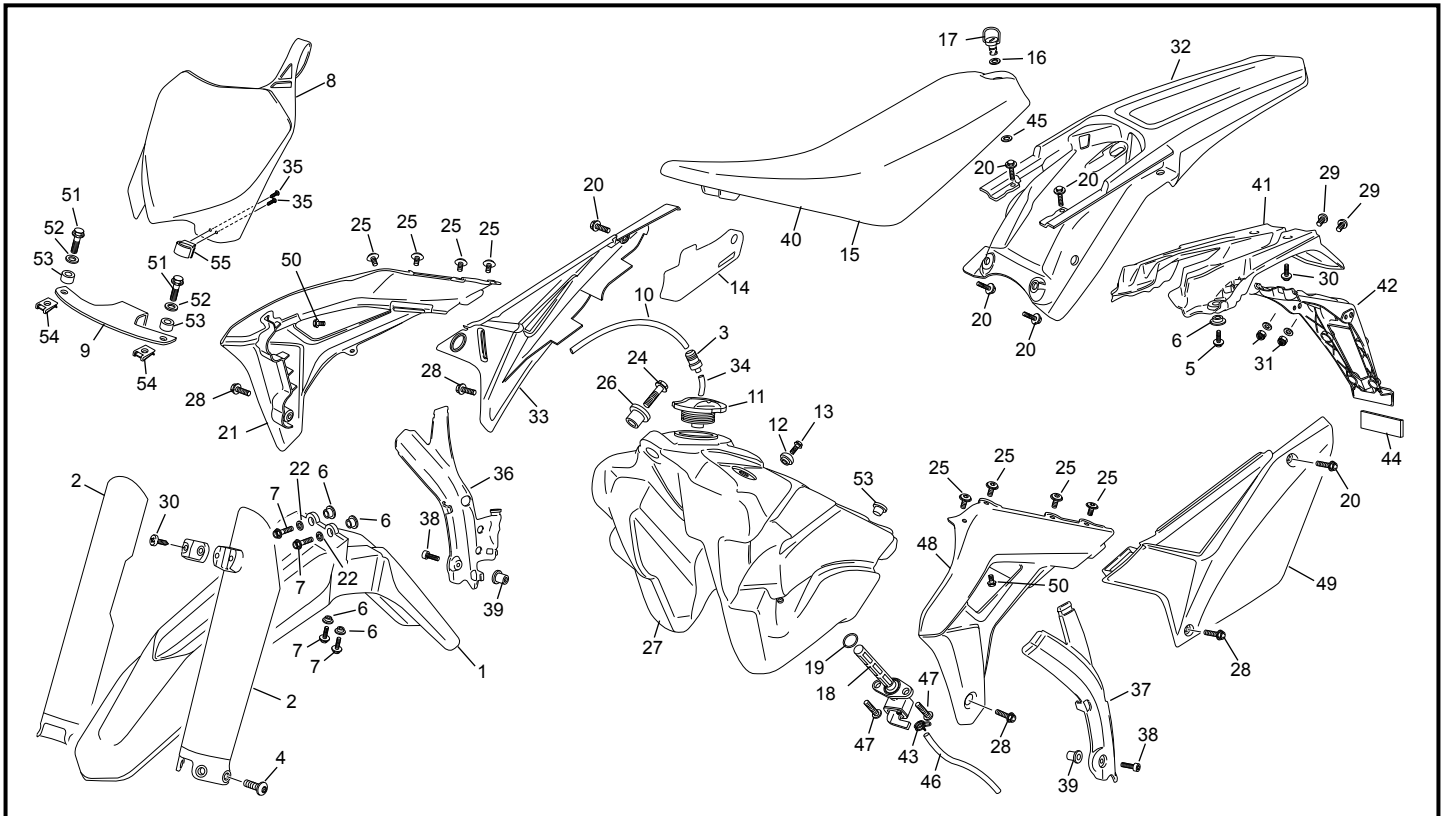
\*Sherco se réserve les droits de modification des références, merci de contrôler sur le portail Sherconetwork avant toute commande. - \*Sherco reserves the right to make change on the references, please check on your Sherconetwork portal before ordering.  
 \*Sherco se reserva el derecho para hacer modificaciones sobre las referencias. Por favor, verifica en el Sherconetwork antes de hacer un pedido.

### Guidon / Handlebar / Manillar



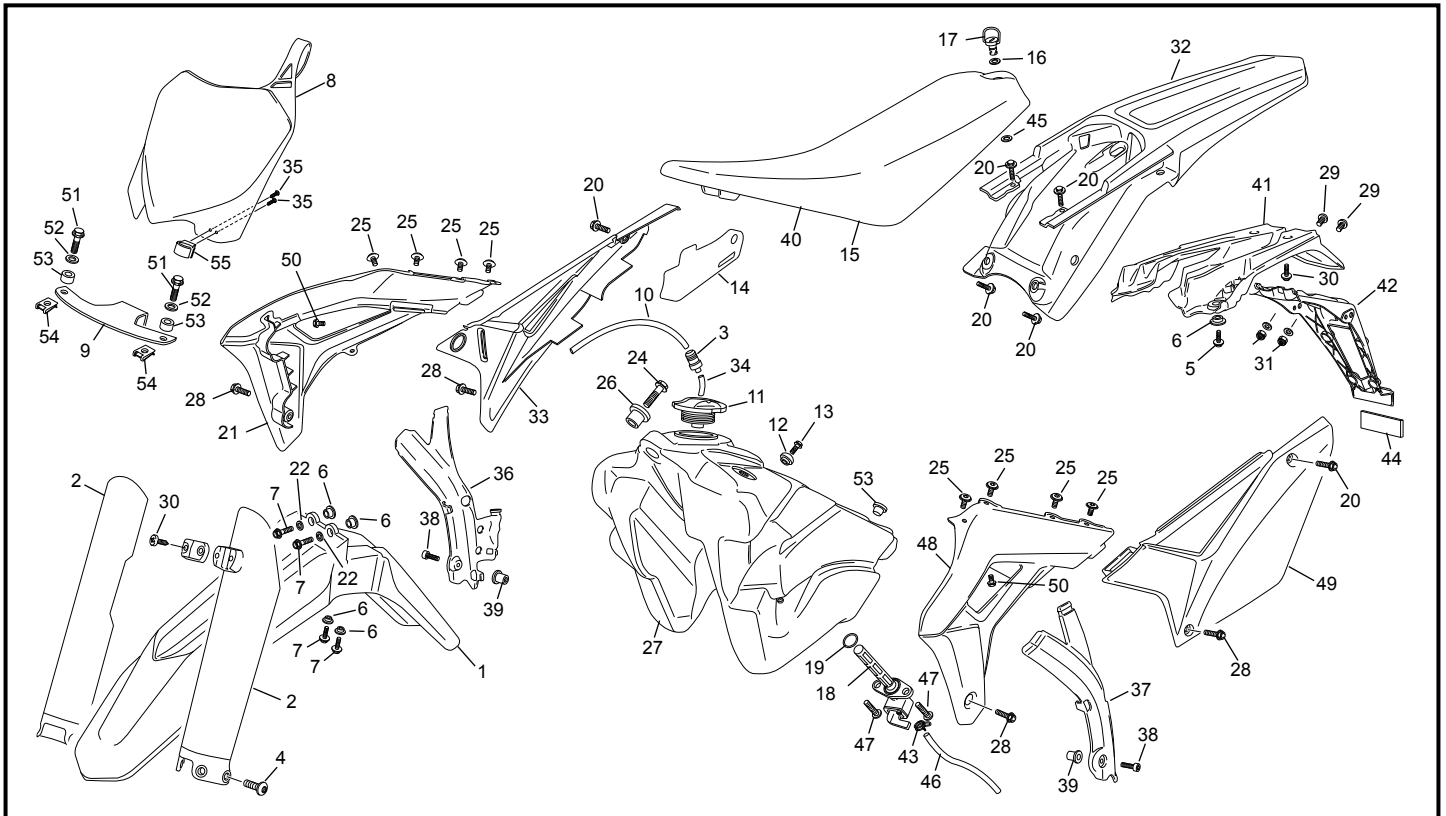
| POS. | 250 SC-R | 300 SC-R | FRANÇAIS                              | ENGLISH                                  | ESPAÑOL                                       |
|------|----------|----------|---------------------------------------|------------------------------------------|-----------------------------------------------|
| 32   | 1970     | 1970     | RONDELLE FRICTION POIGNEE GAZ         | PLATE THRUST                             | PLACA DE EMPUJE                               |
| 33   | 8380     | 8380     | PISTON RECEPTEUR D EMBRAYAGE END      | PISTON CLUTCH RECEIVER END               | PISTON BOMBIN EMBRAGE END                     |
| 34   | 8025     | 8025     | KIT VIS PARES MAINS SEF DROIT         | HAND GUARD SCREW BRAKE KIT               | TORNILLO PARA MANO SEF DERECHA KIT            |
| 35   | 8024     | 8024     | KIT VIS PARES MAINS SEF GAUCHE        | HAND GUARD SCREW CLUTCH SIDE KIT         | TORNILLO PARA MANO SEF IZQUIRDA KIT           |
| 36   | 6261     | 6261     | SUPPORT PARES MAINS SHERCO JEU SE SEF | HAND GUARD BRACKETS BLACK SHERCO SET END | SOPORTE PARA MANO JUEGO SHERCO END            |
| 37   | 6635     | 6635     | CLIP FIXATION CABLE COMPTEUR PETIT    | WIRE FIXING CLIP SMALL                   | CLIP FIXACION CABLE CUENTAQUILOMETROS PEQUENO |

### Plastiques / Plastics / Plásticos



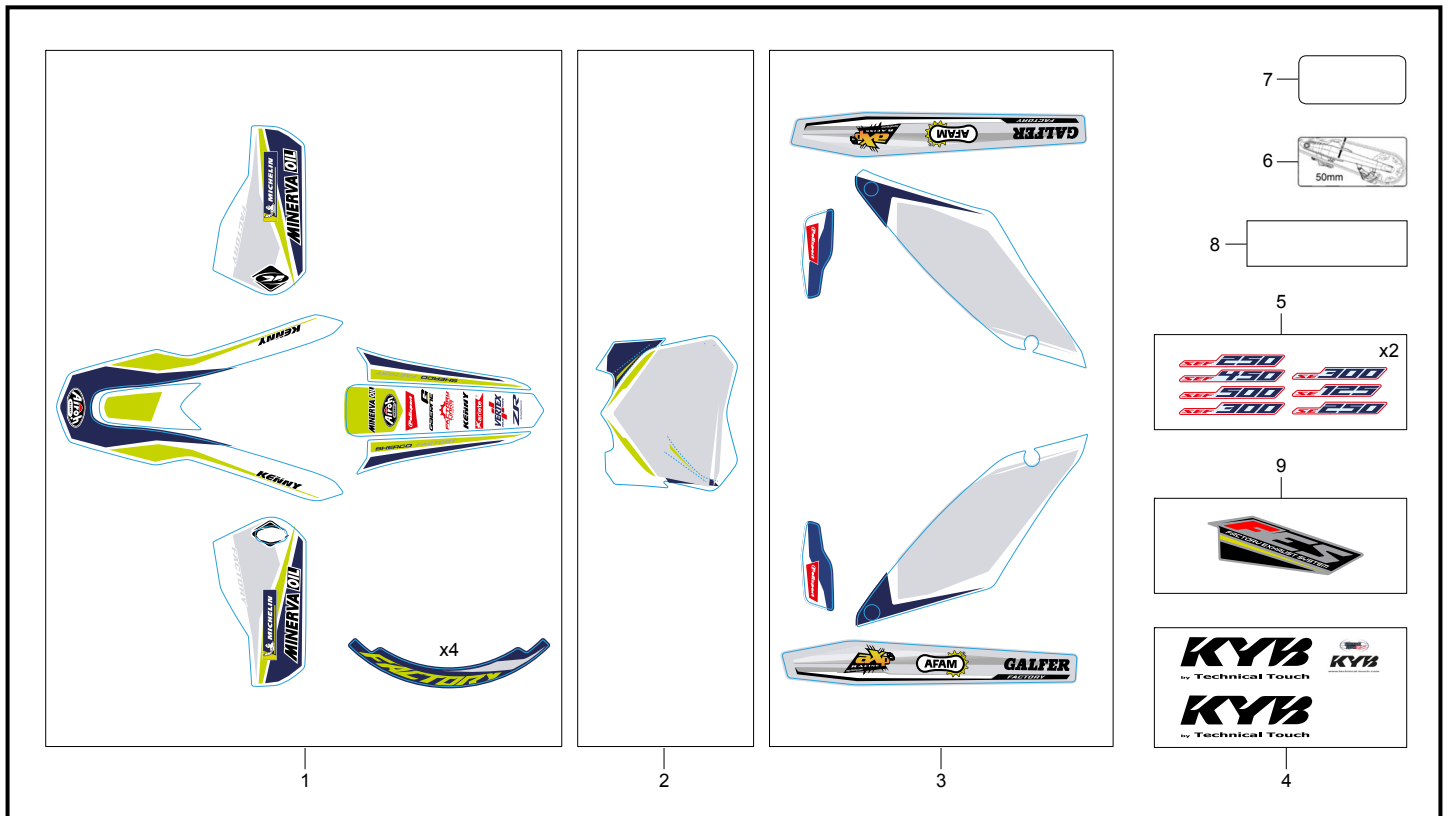
| POS. | 250 SC-R | 300 SC-R | FRANÇAIS                                       | ENGLISH                                    | ESPAÑOL                                               |
|------|----------|----------|------------------------------------------------|--------------------------------------------|-------------------------------------------------------|
| 1    | 6749     | 6749     | PARE BOUE AVANT BLANC SE SEF EVO               | WHITE FRONT MUGUARD SE SEF EVO             | GUARDABARRO DEL BLANCO SE SEF EVO                     |
| 2    | 6755     | 6755     | PROTECTEUR FOURCHE BLANC PAIRE                 | WHITE FORK PROTECTOR SET                   | PROTECTOR HORQUILLA JUEGO BLANCO                      |
| 3    | 5725     | 5725     | VALVE ANTI RETOUR PASTIQUE                     | ANTI RETURN VALVE PLASTIK                  | VALVULA ANTI RETORNO PLASTICO                         |
| 4    | 3243     | 3243     | OBSOLETO VIS SPECIALE PROT FOUR VOIR 3244+M283 | OBSOLET FORK PROTECTOR BOLT SEE 3244+M283  | OBSOLETO TORNILLO ESPECIAL PROT HORQ VER 3244+M283    |
| 5    | 0546     | 0546     | VIS TH EP 6 X 20                               | SREW TH EP 6 X 20                          | TORNILLO TH EP 6 X 20                                 |
| 6    | 3097     | 3097     | ENTRETOISE 2 INOX CARROSSERIE END 2011         | SPACER 2 INOX BOODY END 2011               | CASQUILLO 2 INOX CARROCERIA END 2011                  |
| 7    | 0546     | 0546     | VIS TH EP 6 X 20                               | SREW TH EP 6 X 20                          | TORNILLO TH EP 6 X 20                                 |
| 8    | 4938     | 4938     | PLAQUE NO AVANT BLANCHE MX 250                 | FRONT PLATE MX 250                         | PLACA NO ANTERIOR BLANCA MX 250                       |
| 9    | 4999     | 4999     | SUPPORT NUMERO MX                              | SUPPORT NUMBER PLATE MX                    | SOPORT PLACA NUMERO MX                                |
| 10   | 0252     | 0252     | DURITE ESSENCE DIA INT 5 DIA EXT 9 X 350 MM    | PETROL TUBE DIA INT 5 DIA EXT 9 X 350 MM   | TUBO RESPIRADERO Dia int 5 Dia ext 9 X 350 MM         |
| 11   | H398     | H398     | BOUCHON ESSENCE PLAT ACERBIS                   | PETROL CAP                                 | TAPON GASOLINA PLANO ACERBIS                          |
| 12   | 0497     | 0497     | FIXATION SELLE RESERVOIR END 450               | SPACER SEAT /TANK END 450                  | CASQUILLO SILING DEPOSITO END 450                     |
| 13   | 0652     | 0652     | VIS FHC M6 X 25                                | SCREW FHC M6 X 25                          | TORNILLO AVELL M6 X 25 DIN 7991                       |
| 14   | 6684     | 6684     | PROTECTION THERMIQUE PLAQUE LATERAL            | THERMIC PROTECTOR SIDE NUMBER PLATE        | PROTECTOR TERMICO PLACA LATERAL                       |
| 15   | 7487     | 7487     | SELLE BLEU DIAMANT FACTORY SE SEF              | FACTORY SEAT BLUE DIAMANTE SE SEF 2019     | SILLIN FACTORY AZUL DIAMANTE SE SEF 2019              |
| 16   | 6732     | 6732     | RONDELLE PLASTIQUE SELLE 2017                  | WASHER PLASTIQUE SELLE 2017                | ARENDELLA PLASTIQUE SELLE 2017                        |
| 17   | 6685     | 6685     | DZUS DE SELLE L29 D8 END 2017                  | DZUS DE SELLE L29 D8 END 2017              | DZUS DE SELLE L29 D8 END 2017                         |
| 18   | 7598     | 7598     | ROBINET ESSENCE 250 2T END EVO                 | PETROL TAP 2012 EVO                        | GRIFO GASOLINA 2012 EVO                               |
| 19   | 5146     | 5146     | JOINT TORIQUE ROBINET                          | O-RING PETROL TAP                          | JUNTA TORICA GRIFO GASOLINE                           |
| 20   | 5201     | 5201     | VIS TH EP SPECIAL M 6 X 16                     | SPECIAL SCREW TH EP 6 X 16                 | TORNILLO ESPECIAL TH EP 6 X 16                        |
| 21   | 7924     | 7924     | OUIE DROITE END IPD FACTORY 2020               | RADIATOR SIDE PANEL R END IPD FACTORY 2020 | PLACA RADIADOR I DERE END IPD FACTORY 2020            |
| 22   | M317     | M317     | RONDELLE 6 X12 0407 6                          | WASHER X 6                                 | ARANDELA 6 DIN 125 A                                  |
| 23   | 0547     | 0547     | VIS TH EP 6 X 30                               | SCREW TH EP 6 X 30                         | TORNILLO TH EP 6 X 30                                 |
| 24   | 6812     | 6812     | VIS SPECIALE M6X8                              | SPECIAL SCREW M6X8                         | TORNILLO SPECIAL M6X8                                 |
| 25   | 3349     | 3349     | SILENT BLOC RESERVOIR END 2012                 | SILENBLOC TANK END 2012                    | SILENBLOC DEPOSITO END 2012                           |
| 26   | 7482     | 7482     | RESERVOIR ESSENCE END 250 2T EVO               | PETROL TANK END 250 2T EVO                 | DEPOSITO END 250 2T EVO                               |
| 27   | 5200     | 5200     | VIS TH EP SPECIAL M 6 X 20                     | SPECIAL SCREW TH EP 6 X 20                 | TORNILLO ESPECIAL TH EP 6 X 20                        |
| 28   | 3679     | 3679     | VIS BHC 6 X 20 EMBASE ZINGUE NOIR              | SCREW BHC 6 X 20 BLACK                     | TORNILLO 6 X20 BHC NEGRO                              |
| 29   | 3555     | 3555     | VIS PLASTIQUE DELTA 5 X18                      | PLASTIC SCREW 5 X18                        | TORNILLO PLASTIC 5X18                                 |
| 30   | 2086     | 2086     | ECROU EMBASE M6 EMBASE LISSE DIN 6923          | COLLAR HEX NUT FLAT BASIS M6 DIN 6923      | TUERCA CON VALONA BASE LISA M6 6923                   |
| 31   | 6502     | 6502     | PARE BOUE ARRIERE BLANC SE SEF                 | BACK MUDGUARD WHITE SE SEF                 | GUARDABARRO TRA BLANCO SE SEF                         |
| 32   | 7926     | 7926     | PLAQUE LATERALE DROITE END IPD FACTORY 2020    | SIDE NUMBER PLATE R END IPD FACTORY 2020   | PLACA NO DER AZUL BLANCA END IPD FACTORY 2020         |
| 33   | 5585     | 5585     | DURITE ESSENCE DIA INT 5 DIA EXT 9 X 50 MM     | PETROL TUBE DIA INT 5 DIA EXT 9 X 50 MM    | TUBO RESPIRADERO DEPOSITO Dia int 5 Dia ext 9 X 50 MM |
| 34   | M336     | M336     | VIS TOLE 2.9 X 9.5 0115                        | SCREW TOLE 2.9 X 9.5                       | TORNILLO TOLE 2.9 X 9.5                               |

### Plastiques / Plastics / Plásticos



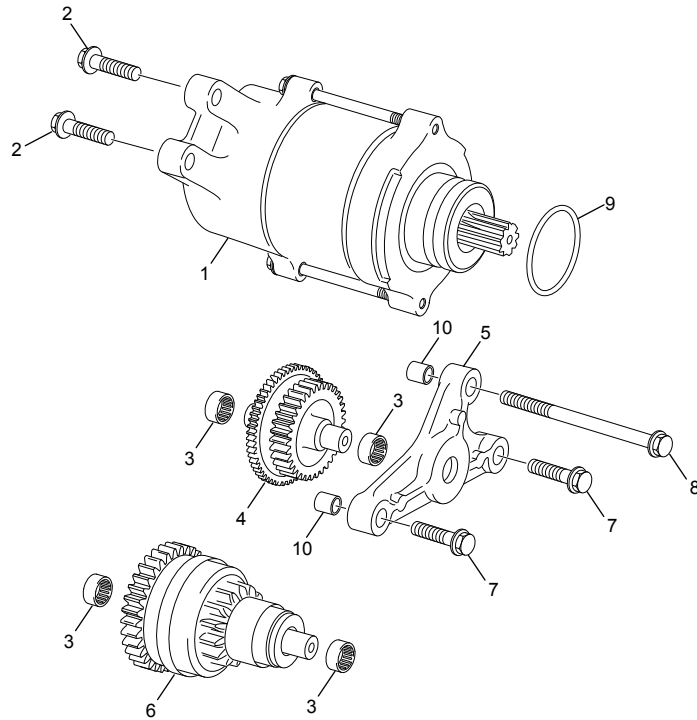
| POS. | 250 SC-R | 300 SC-R | FRANÇAIS                                    | ENGLISH                                    | ESPAÑOL                                       |
|------|----------|----------|---------------------------------------------|--------------------------------------------|-----------------------------------------------|
| 35   | 8202     | 8202     | PROTECTEUR CADRE DROIT SE SEF BLEU          | BLUE RIGHT FRAME PROTECTOR SE SEF BLUE     | PROTECTOR CUADRO DERECHO SE SEF AZUL          |
| 36   | 8201     | 8201     | PROTECTEUR CADRE GAUCHE SE SEF BLEU         | BLUE LEFT FRAME PROTECTOR SE SEF BLUE      | PROTECTOR CUADRO IZQUIERDO SE SE F AZUL       |
| 37   | 3880     | 3880     | VIS BHC M5X30 EMBASE ZI                     | SCREW BHC M5X30 EMBASE ZI                  | TORNILLO BHC M5x30 EMBASE ZI                  |
| 38   | 3793     | 3793     | ECROU M5 WELNUT                             | ECROU M5 WELNUT                            | ECROU M5 WELNUT                               |
| 39   | 7653     | 7653     | HOUSSE DE SELLE END FACTORY 2019            | SLEEVE SEAT END FACTORY 2019               | FUNDA ASIENTO END FACTORY BLUE 2019           |
| 40   | 6512     | 6512     | BAVETTE FEU AR SE SEF 2017                  | REAR NUMBER PLATE HOLDER SE SEF 2017       | PORTAMATRICULAS TRASERO SE SEF 2017           |
| 41   | 3549     | 3549     | SUPPORT PLAQUE IMMATRICULATION END 2012     | SUPPORT NUMBER PLATE END 2012              | SOPORT PLACA IMMATRICULACION END 2012         |
| 42   | 5410     | 5410     | COLLIER SERRAGE DOUBLE FIL 12.1-13.1        | HOSE SEEGER 12.1-13.1                      | SEEGER TUBOS 12.1-13.1                        |
| 43   | 1526     | 1526     | CATADIOPTRE ROUGE AR 50 125 END SM          | REAR RED REFLECTORS 50 125 END SM          | REFLECTORES ROJO TRAS 50 125 END SM           |
| 44   | 6683     | 6683     | RONDELLE VERROUILLAGE DZUS END 450 D8       | WASHER VEROUILLAGE DZUS END 450 D8         | ARANDELLA VEROUILLAGE DZUS END 45 D8          |
| 45   | 3487     | 3487     | DURITE ALIMENTATION END                     | HOSE INJECTION/FUEL END                    | TUBO GASOLINA/INJECTION END                   |
| 46   | M258     | M258     | VIS BHC 5 X 16 1093 ZN NI TR                | SCREW BHC 5 X 16 ZN NI TR                  | TORNILLO 5 X 16 ULS ZN Ni Tr                  |
| 47   | 7925     | 7925     | OUIE GAUCHE END IPD FACTORY 2020            | RADIATOR SIDE PANEL L END IPD FACTORY 2020 | PLACA RADIADOR IZQU END IPD FACTORY 2020      |
| 48   | 7927     | 7927     | PLAQUE LATERALE GAUCHE END IPD FACTORY 2020 | SIDE NUMBER PLATE L END IPD FACTORY 2020   | PLACA NO IZQ AZUL BLANCA END IPD FACTORY 2020 |
| 49   | 3554     | 3554     | VIS BHC 6 X 8 EMBASE                        | SCREW BHC 6 X 8                            | TORNILLO 6 X8 BHC                             |
| 50   | 0546     | 0546     | VIS TH EP 6 X 20                            | SREW TH EP 6 X 20                          | TORNILLO TH EP 6 X 20                         |
| 51   | C427     | C427     | RONDELLE M6 X 15                            | WASHER M6 X 15                             | ARANDELA M6 X 15                              |
| 52   | 5264     | 5264     | ENTRETOISE SILENCIEUX                       | BUSH SILENCER                              | CASQUILLO SILENCIOSO                          |
| 53   | 8567     | 8567     | BOUCHON FIXATION RESERVOIR                  | FUEL TANK CAP FIXING                       | TAPON DEPOSITO                                |
| 54   | M308     | M308     | ECROU CLIP M6 0500500400                    | NUT CLIP M6                                | TUERCA CLIP M6                                |
| 55   | 0363     | 0363     | GUIDE DURITE NYLON END 450                  | HOLDER FRONT BRAKE TUBE END 450            | GUIA LATIGUILLO NYLON END 450                 |

### Adhésif / Sticker / Adhesivo



| POS. | 250 SC-R | 300 SC-R | FRANÇAIS                                    | ENGLISH                                                  | ESPAÑOL                                               |
|------|----------|----------|---------------------------------------------|----------------------------------------------------------|-------------------------------------------------------|
| 1    | 7970     | 7970     | KIT ADH. FOURCHE GB JANTE FACT. END '20     | ARM FORK MUD GARD RIMS FACT. STICKER KIT END '20         | GUARDABARRO LLANTA HORQUILLA FACT. KIT ADH. END '20   |
| 2    | 7921     | 7921     | ADH. PLAQUE NUMERO CROSS COUNTRY END '20    | NUM. PLATE CROSS COUNTRY STICKER KIT END '20             | PLACA NÚM. CROSS COUNTRY KIT ADH. END '20             |
| 3    | 7922     | 7922     | KIT ADH. PLAQUE BRAS PROTEC MAINS FACT. '20 | NUM. PLATE SWING ARM HAND GARD FACT. STICKER KIT END '20 | PLACA NÚM. BASCULANTE PARAMANO FACT. KIT ADH. END '20 |
| 4    | 7777     | 7777     | ADH. PROTECTION FOURCHE PAIRE RACING '19    | STICKER FORK KIT RACING '19                              | JUEGO ADHESIVOS HORQUILLA RACING '19                  |
| 5    | 7920     | 7920     | ADH. SC SCF CROSS COUNTRY END '20           | SC SCF CROSS COUNTRY STICKER END '20                     | SC SCF CROSS COUNTRY ADHESIVOS END '20                |
| 6    | 3735     | 3735     | ADH. TENSION DE CHAINE END 12               | ADH. CHAIN TENSIONER END 12                              | ADH. TENSIÓN DE CADENA END 12                         |
| 7    | 4516     | 4516     | ADH.F CADRE PROTECTION NUM. END             | STICKER FRAME NUMBER PROTECTION END                      | ADHESIVO BASTIDOR NUM END                             |
| 8    | 5617     | 5617     | ADH. PROTECTION PLAQUE CONSTRUCTEUR END     | STICKER MANUFACTURER PLATE PROTECTION END                | ADHESIVO PLACA CONSTRUCTOR END                        |
| 9    | 8146     | 8146     | ADH. SILENCIEUX FACT. 2T                    | FACT. 2 STROKE SILENCER STICKER                          | ADHESIVO SILENCOSO 2T FACTORY                         |

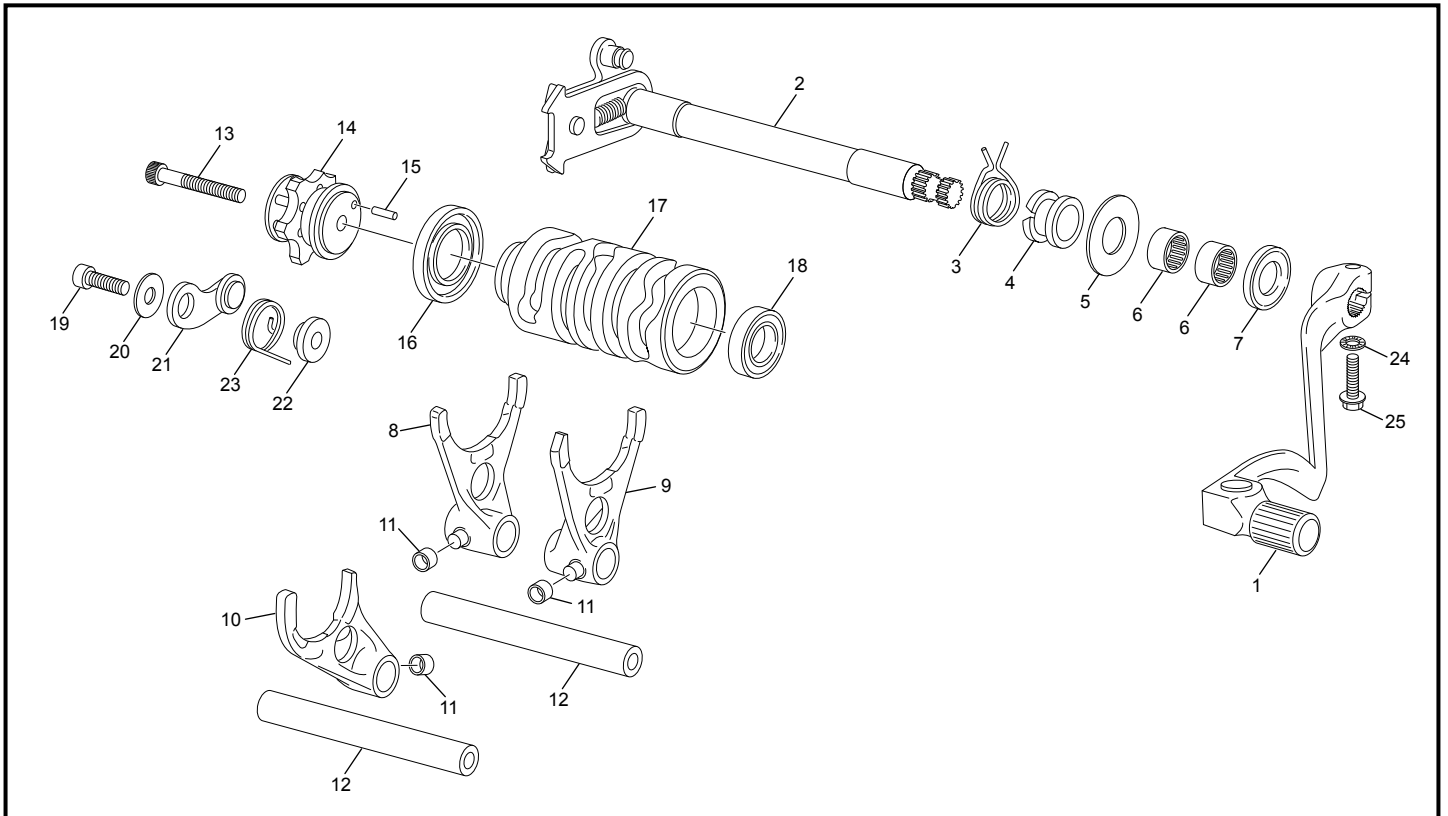
### Démarrreur / Starter motor / Motor de arranque



| POS. | 250 SC-R | 300 SC-R | FRANÇAIS                                  | ENGLISH                                    | ESPAÑOL                                  |
|------|----------|----------|-------------------------------------------|--------------------------------------------|------------------------------------------|
| 1    | 3858     | 3858     | DEMARREUR ELECTRIQUE 250 2T END           | ELECTRIC START ENGINE 250 2T END           | MOTOR ELECTRIC STARTER 250 2T END        |
| 2    | 0554     | 0554     | VIS TH EP 5 X 20                          | SREW TH EP 5 X 20                          | TORNILLO TH EP 5 X 20                    |
| 3    | M029     | M029     | ROULEMENT AIGUILLE POMPE EAU HK0808       | WATER PUMP NEEDLE BEARING HK 0808          | COJINETE AGUJAS BOMBA AGUA HK 0808       |
| 4    | 6822     | 6822     | LIMITEUR DE COUPLE 250 300 SE             | TORQUE LIMITER 250 300 SE                  | LIMITADOR DE PAR 250 300SE               |
| 5    | 3959     | 3959     | SUPPORT ARBRE DE DEMARREUR 250/300 2T END | BEARING PLATE STARTER SHAFT 250/300 2T END | SOPORTE ÁRBOL DE ARRANQUE 250/300 2T END |
| 6    | 7643     | 7643     | LANCEUR DE DEMARREUR 250 2T END EVO       | ASSY STARTER DRIVE END 250 2T END EVO      | LANZADOR DE ARRANQUE 250 2T END EVO      |
| 7    | 0546     | 0546     | VIS TH EP 6 X 20                          | SREW TH EP 6 X 20                          | TORNILLO TH EP 6 X 20                    |
| 8    | 0552     | 0552     | VIS TH EP 6 X 75                          | SREW TH EP 6 X 75                          | TORNILLO TH EP 6 X 75                    |
| 9    | 5197     | 5197     | JOINT TORIQUE 25 X 3 VITON                | O-RING 25 X 3 VITON                        | JUNTA TORICA CULATA 25 X 3 VITON         |
| 10   | 0008     | 0008     | DOUILLES CENTRAGE 8X6X11                  | SPACER CENTRAGE 8X6X11                     | CENTRADOR 8X6X11                         |

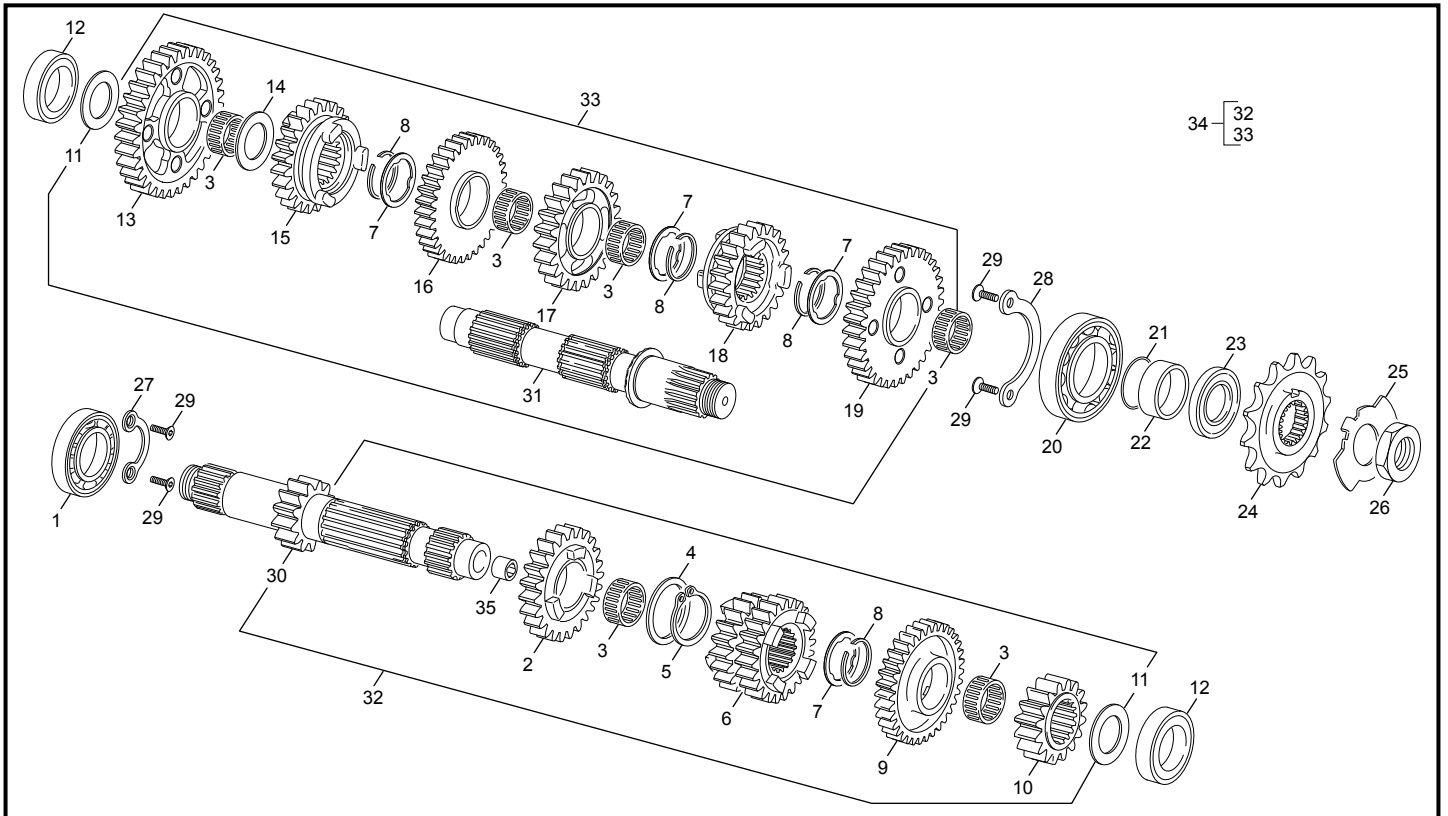


### Selecteur / Gear selector group / Selector cambio



| POS. | 250 SC-R | 300 SC-R | FRANÇAIS                                        | ENGLISH                                                | ESPAÑOL                                    |
|------|----------|----------|-------------------------------------------------|--------------------------------------------------------|--------------------------------------------|
| 1    | 3889     | 3889     | SELECTEUR ALU CPL 2T END                        | SHIFT LEVER ALU 2T END                                 | PALANCA CAMBIO 2T END                      |
| 2    | 5664     | 5664     | ARBRE SELECTEUR CPL END 250 2T/ 450 / 500 4T V2 | SHIFT SHAFT WITH PAWL ASSY END 250 2T /450 / 500 4T V2 | ARBOL SELECTOR END 250 2T/ 450 / 500 4T V2 |
| 3    | 0208     | 0208     | RESSORT RAPPEL SELECTEUR END                    | SELECTOR SPRING END                                    | MUELLE SELECTOR                            |
| 4    | 0209     | 0209     | DOUILLE RESSORT SELECTEUR END                   | SPRING SPACER SHIFT END                                | CASQUILLO MUELE SELECTOR END               |
| 5    | 5667     | 5667     | RONDELLE 14 X 28 X0.5                           | WASHER 14 X 28 X 0.5                                   | ARANDELLA 14 X 28 X 0.5                    |
| 6    | 0527     | 0527     | DOUILLE AIGUILLE HK 1412                        | NEEDLE BEARING HK1412                                  | CASQUILLO AGUJAS HK14 12                   |
| 7    | 0660     | 0660     | JOINT LEVRE DOUBLE 14X24X6 NITRILE L METAL      | SEAL 14X24X6 NITRILE DOUBLE L METAL                    | RETEN 14X24X6 NITRILE DOUBLE L METAL       |
| 8    | 3809     | 3809     | FOURCHETTE 1/3 250 2T END                       | 1/3 FORK 250 2T END                                    | HORQUILLA 1/3 250 2T END                   |
| 9    | 3810     | 3810     | FOURCHETTE 2/4 250 2T END                       | 2/4 FORK 250 2T END                                    | HORQUILLA 2/4 250 2T END                   |
| 10   | 3808     | 3808     | FOURCHETTE 5/6 250 2T END                       | 5/6 FORK 250 2T END                                    | HORQUILLA 5/6 250 2T END                   |
| 11   | 1718     | 1718     | ROULEAU FOUCHETTE 450 END                       | ROLLER FORK 450 END                                    | ANILLO HORQUILLA 450 END                   |
| 12   | 0220     | 0220     | AXE DE FOURCHETTE END                           | FORK PIN END                                           | EJE HORQUILLA END                          |
| 13   | 1031     | 1031     | VIS CHC M6 X 35PRE IMPREGNEE FAIBLE             | SCREW CHC M6 X 35 PRE IMPREGNEE FAIBLE                 | TORNILLO CHC M6 X 35 PRE IMPREGNEE FAIBLE  |
| 14   | 5663     | 5663     | ETOILE DE SELECTION CPL 250 2T END V2           | SHIFTING LOCATOR 250 2T END V2                         | ESTRELLA SELECTOR 250 2T END V2            |
| 15   | 0101     | 0101     | AIGUILLE NRB X 3 X 11.8                         | NEEDL X 3 X 11.8                                       | AGUJAS X 3 X 11.8                          |
| 16   | 3806     | 3806     | ROULEMENT 61805 2RS                             | BEARING 61805 2RS                                      | COJINETE 61805 2RS                         |
| 17   | 5662     | 5662     | TAMBOUR DE SELECTION 250 2T END                 | SELECTOR DRUM 250 2T END                               | DESMODROMICO SELECTOR 250 2T END           |
| 18   | 3807     | 3807     | ROULEMENT 6001-2RSL/LHT23                       | BEARING 6001 2RS                                       | COJINETE 6001 2RS                          |
| 19   | M249     | M249     | VIS CHC TETE BASSE 6 X 20 SS TROU GUIDAGE       | SCREW CHC 6 X 20                                       | TORNILLO M 6 X 20 CABEZA REBAJADA          |
| 20   | M321     | M321     | RONDELLE 6 X 18 X 1.5 0411                      | WASHER 6 X 18                                          | ARANDELA 6 X 18 DIN 9021                   |
| 21   | 5142     | 5142     | DOIGT DE VERROUILLAGE COMPLET 450 / 500 END EVO | INDEX LEVER ASSY 450 / 500 END EVO                     | PALANCA CIERRE SELECTOR 450 / 500 END EVO  |
| 22   | 0215     | 0215     | ENTRETOISE DE VERROUILLAGE 450 END              | SPACER VERROUILLAGE 450 END                            | CASQUILLO GUIA LEVA 450 END                |
| 23   | 0210     | 0210     | RESSORT RAPPEL VERROUILLAGE END                 | SRING INDEX LEVER END                                  | MUELLE BOOMERANG END                       |
| 24   | 0746     | 0746     | RONDELLE AET 6                                  | WASHER AET6                                            | ARANDELA AET6                              |
| 25   | 0546     | 0546     | VIS TH EP 6 X 20                                | SREW TH EP 6 X 20                                      | TORNILLO TH EP 6 X 20                      |

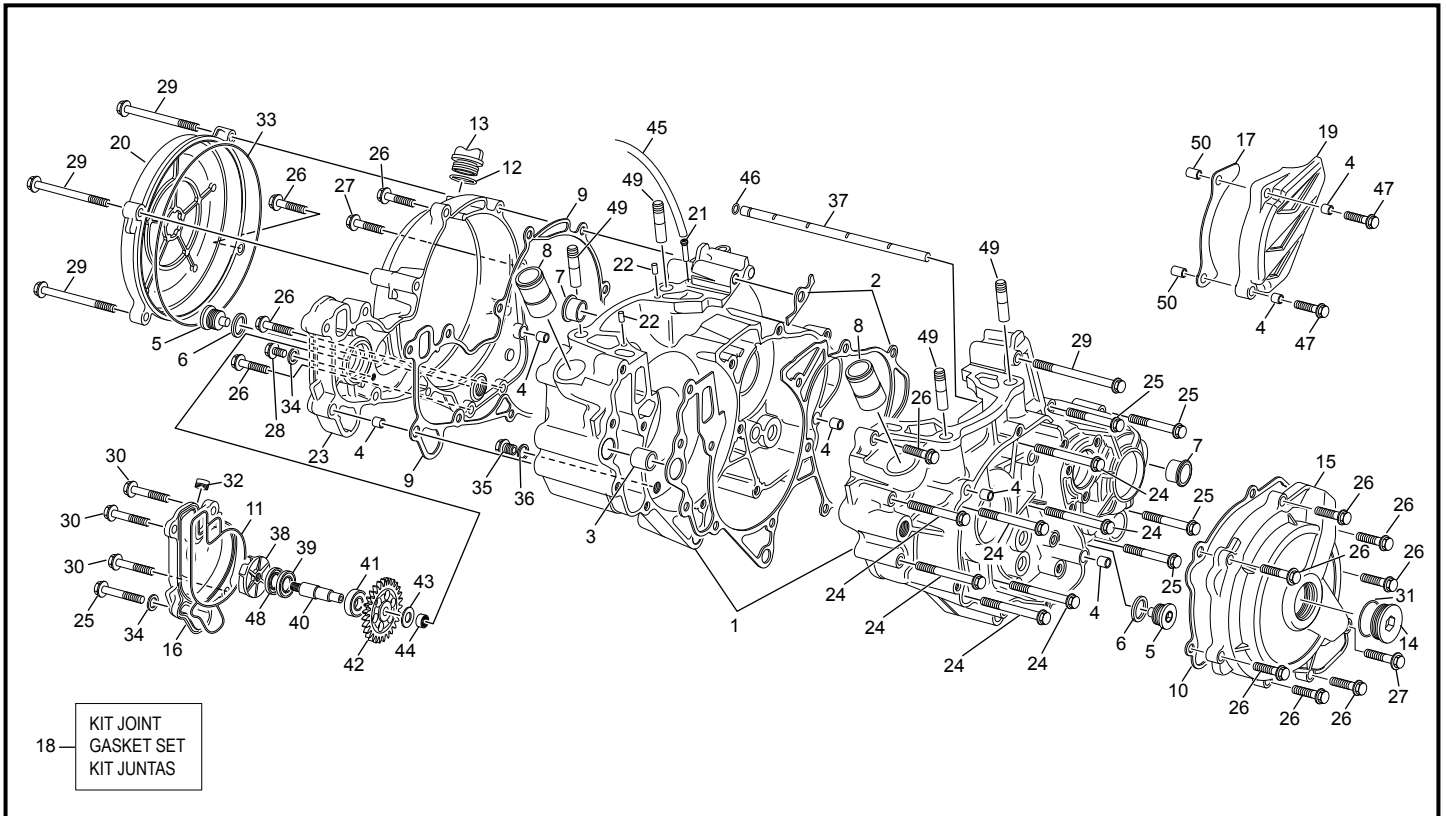
### Boîte a vitesses / Gear set / Cambio



| POS. | 250 SC-R | 300 SC-R | FRANÇAIS                                        | ENGLISH                                        | ESPAÑOL                                          |
|------|----------|----------|-------------------------------------------------|------------------------------------------------|--------------------------------------------------|
| 1    | 0174     | 0174     | ROULEMENT BILLE 6205 C3                         | BEARING BALL 6205 C3                           | COJINETE 6205 C3                                 |
| 2    | 5209     | 5209     | PIGNON PRIMAIRE 5 Z 23 250/300 2T END           | GEAR 5 Z 23 250/300 2T END                     | PINON 5 Z 23 250/300 2T END                      |
| 3    | 0685     | 0685     | DOUILLE AIGUILLE K22X26X13 TN OUVERTE           | NEEDLE BEARING K22X26X13 TN OPEN               | CASQUILLO DE AGUJAS K22X26X13 TN ABIERTA         |
| 4    | 5210     | 5210     | RONDELLE 25 X 31 X 1.4                          | WASHER 25 X 31 X 1.4                           | ARANDELLA 25 X 31 X 1.4                          |
| 5    | 0705     | 0705     | CIRCLIP A 24 DIN 471                            | CIRCLIP A 24 DIN 471                           | CIRCLIP A 24 DIN 471                             |
| 6    | 5211     | 5211     | PIGNON 3/4 Z19/21 250 END 2T                    | GEAR 3/4 Z19/21 250 END 2T                     | PINON 3/4 Z19/21 250 END 2T                      |
| 7    | 5212     | 5212     | RONDELLE CRENEAU 25.2 X31                       | WASHER 25.2 X31                                | ARANDELLA ESTRIADA EJE 25.2 X31                  |
| 8    | 4579     | 4579     | CIRCLIP SW 24                                   | CIRCLIP SW 24                                  | CIRCLIP SW 24                                    |
| 9    | 5213     | 5213     | PIGNON 6 Z25 250 END 2T                         | GEAR 6 Z25 250 END 2T                          | PINON 6 Z25 250 END 2T                           |
| 10   | 5214     | 5214     | PIGNON 2 Z16 250 END 2T                         | GEAR 2 Z16 250 END 2T                          | PINON 2 Z16 250 END 2T                           |
| 11   | 5215     | 5215     | RONDELLE 20.1X33X1                              | WASHER 20.1X33X1                               | ARANDELLA 20.1X33X1                              |
| 12   | 0175     | 0175     | ROULEMENT BILLE 6004.2RSH/C3                    | BERING BALL 6004.2RSH/C3                       | COJINETE 6004.2RSH/C3                            |
| 13   | 5217     | 5217     | PIGNON 1 Z 32 250/300 2T END                    | GEAR 1 Z 32 250/300 2T END                     | PINON 1 Z 32 250/300 2T END                      |
| 14   | 5216     | 5216     | RONDELLE 22.1X33X1                              | WASHER 22.1X33X1                               | ARANDELLA 22.1X33X1                              |
| 15   | 5218     | 5218     | PIGNON 5 Z22 250/300 2T END                     | GEAR 5 Z22 250/300 2T END                      | PINON 5 Z22 250/300 2T END                       |
| 16   | 5219     | 5219     | PIGNON 3 Z27 250/300 2T END                     | GEAR 3 Z27 250/300 2T END                      | PINON 3 Z27 250/300 2T END                       |
| 17   | 5220     | 5220     | PIGNON 4 Z 24 250/300 2T END                    | GEAR 4 Z 24 250/300 2T END                     | PINON 4 Z 24 250/300 2T END                      |
| 18   | 5221     | 5221     | PIGNON 6 Z21 250/300 2T END                     | GEAR 6 Z21 250/300 2T END                      | PINON 6 Z21 250/300 2T END                       |
| 19   | 5222     | 5222     | PIGNON 2 Z26 250/300 2T END                     | GEAR 2 Z26 250/300 2T END                      | PINON 2 Z26 250/300 2T END                       |
| 20   | 0188     | 0188     | ROULEMENT BILLE 6305.2RSC3                      | BEARING BALL 6305 2RS C3                       | COJINETE 6305 2RS C3                             |
| 21   | 4143     | 4143     | JOINT TORIQUE 25X2                              | O RING 25X2                                    | O RING 25X2                                      |
| 22   | 4093     | 4093     | ENTRETOISE PIGNON DE CHAINE END 455             | SPACER CHAIN PINION END 454                    | CASQUILLO PINION CADENA END 455                  |
| 23   | 0189     | 0189     | JOINT LEVRE DOUBLE 32X42X7                      | SEAL DOUBLE LIP 32X42X7                        | RETEN 32X42X7                                    |
| 24   | 0192     | 0192     | PIGNON DE CHAINE 14D END                        | CHAIN PIGNON 14T END                           | PINON CADENA 14D END                             |
| 24   | 4730     | 4730     | PIGNON DE CHAINE 13D END 250/2T 450/ 4T         | CHAIN PIGNON 13T END 250/2T 450/ 4T            | PINON CADENA 13D END 250/2T 450/ 4T              |
| 25   | 4156     | 4156     | RONDELLE PIGNON SORTIE DE BOITE 450 END         | WASHER CHAIN PINION 450 END                    | ARANDELA PINON CADENA 450 END                    |
| 26   | 0051     | 0051     | ECROU SPECIAL M20 X 1 END 450                   | SPECIAL SREW M20 X 1 END                       | TUERCA ESPECIAL M20 X 1 END                      |
| 27   | 4227     | 4227     | PLAQUE MAINTIEN ROULEMENT END 254               | BEARING GIDE END 254                           | PLACA SUJETACION RODAMIENTO END 254              |
| 28   | 4094     | 4094     | PLAQUE MAINTIEN ROULEMENT END 455 /254          | BEARING GIDE END 455 /254                      | PLACA SUJETACION RODAMIENTO END 455 / 254        |
| 29   | 0872     | 0872     | VIS FHC M5 X 10 DIN 7991 PRE IMPREGNEE FAIBLE   | SCREW FHC M5 X 10 250 END PRE IMPREGNEE FAIBLE | TORNILLO FHC M5 X10 250 END PRE IMPREGNEE FAIBLE |
| 30   | 5223     | 5223     | ARBRE PRIMAIRE 250/300 END 2T Z14               | AXLE MAIN 250/300 END 2T Z14                   | EJE PRIMARIO 250/300 END 2T Z14                  |
| 31   | 5224     | 5224     | ARBRE SECONDAIRE 250 / 300 2T- 450 / 500 4T END | SECONDARY SHAFT 250 / 300 2T- 450 / 500 4T END | EJE SECUNDARIO 250 / 300 2T- 450 / 500 4T END    |
| 32   | ----     | ----     | ARBRE PRIMAIRE COMPLET                          | ASSY PRIMARY SHAFT                             | CONJUNTO DEL EJE PRIMARIO                        |
| 33   | ----     | ----     | ARBRE SECONDAIRE COMPLET                        | ASSY SECONDARY SHAFT                           | CONJUNTO DEL EJE SECUNDARIO                      |
| 34   | 3804     | 3804     | BOITE A VITESSE CPL 250 2T END                  | GEAR BOX ASSY 250 2T END                       | CONJUNTO CAMBIO 250 2T END                       |
| 35   | 5356     | 5356     | BAGUE BRONZE END 254-455                        | SPACER BRONZE END 254-455                      | CASQUILLO BRONZE END 254-455                     |

\*Sherco se réserve les droits de modification des références, merci de contrôler sur le portail Sherconetwork avant toute commande. - \*Sherco reserves the right to make change on the references, please check on your Sherconetwork portal before ordering.  
 \*Sherco se reserva el derecho para hacer modificaciones sobre las referencias. Por favor, verifica en el Sherconetwork antes de hacer un pedido.

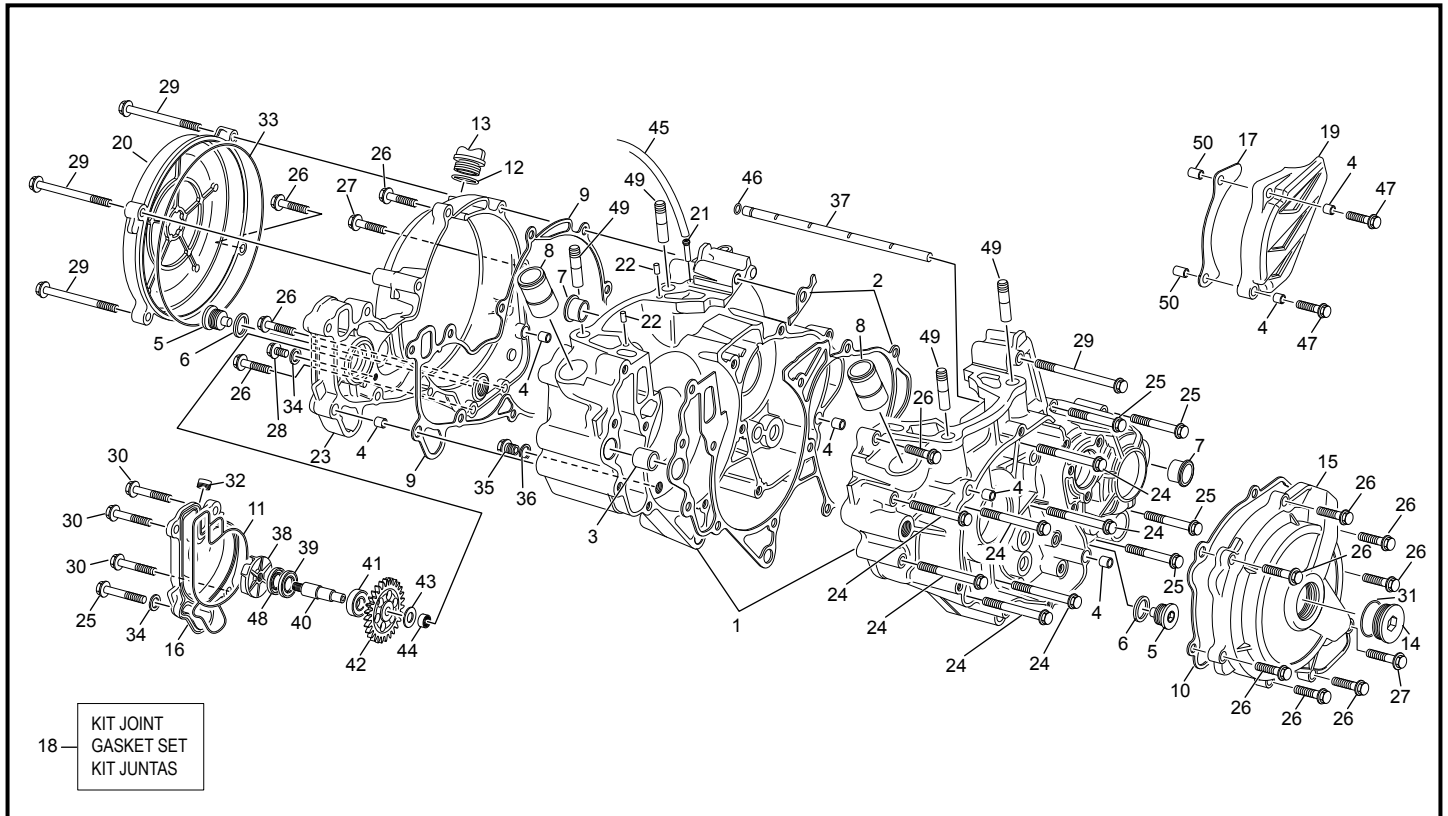
### Groupe carters / Crankcase assembly / Grupo carters



| POS. | 250 SC-R | 300 SC-R | FRANÇAIS                                          | ENGLISH                                  | ESPAÑOL                                       |
|------|----------|----------|---------------------------------------------------|------------------------------------------|-----------------------------------------------|
| 1    | 7474     | 7474     | GROUPE CARTERS CENTRAUX 250 SE EVO 2              | CRANKCASE SET 250/300 END EVO 2          | CARTERS CENTRALES 250/300 END EVO 2           |
| 2    | 3825     | 3825     | JOINT CARTER CENTRAUX 250 2T END                  | CRANKCASE GASKET 250 2T END              | JUNTA CARTER CENTRAL 250 2T END               |
| 3    | 0006     | 0006     | DOUILLES CENT CARTERS CENT ANTERIEUR 14X11X16     | SPACER CRANCK CASE FRONT 14X11X16        | CASQUILLO CARTER CENTAL DEL 14X11X16          |
| 4    | 0008     | 0008     | DOUILLES CENTRAGE 8X6X11                          | SPACER CENTRAGE 8X6X11                   | CENTRADOR 8X6X11                              |
| 5    | 4055     | 4055     | BOUCHON MAGNETIQUE M16 X 1.5 VIDANGE END 455/254  | CAP M 16 END 455                         | TAPON M 16 END 455                            |
| 6    | 3823     | 3823     | JOINT ALUMINIUM 16X22X 1.5 254/ 455 END           | GASKET ALUMINIUM 16X22X 1.5 254/455 END  | JUNTA ALUMINIUM 16X22X 1.5 254 /455 END       |
| 7    | 1106     | 1106     | BAGUE CARTER 450 510                              | COLLAR BUSH                              | MANGUITO CARTER 450 510                       |
| 8    | 0464     | 0464     | RACCORD CYLINDRE/DURITE END                       | CILENDER WATER CONEXION END              | CONECTOR TUBO AGUA CILINDRO END               |
| 9    | 3831     | 3831     | JOINT CARTER EMBRAYAGE 250 2T END                 | GASKET CLUTCH COVER 250 2T END           | JUNTA CARTER EMBRAGE 250 2T END               |
| 10   | 8112     | 8112     | CARTER D ALLUMAGE 250/300 SE ANTRACITHE           | IGNITION COVER 250/300 SE EVO ANTRACITHE | CARTER INCENDIDO 250/300 SE EVO ANTRACITHE    |
| 11   | 3833     | 3833     | JOINT COUVERCLE POMPE EAU 250 2T END              | RING WATER PUMP COVER 250 2T END         | JUNTA TAPA BOMBA AGUA 250 2T END              |
| 12   | 0606     | 0606     | JOINT TORIQUE 19 X3                               | O RING 19 X 3                            | TORICA 19 X 3                                 |
| 13   | 0509     | 0509     | BOUCHON 24 HUILE 450 / 500 END                    | CAP 24 450 / 500 END                     | TAPON 24 450 / 500 END                        |
| 14   | 6411     | 6411     | BOUCHON CARTER SEF M27X100 EVO                    | MAGNETIC SEF M27X100 EVO                 | TAPON TAPA SEF M27X100 EVO                    |
| 15   | 8118     | 8118     | CULASSE COMPLETE 3.0 TR ROUGE OXIA SH 19          | CYLINDER HEAD SET 3.0 TR RED OXIA SH 19  | CULATA COMPLETA 3.0 TR ROJO OXIA SH 19        |
| 16   | 3834     | 3834     | COUVERCLE DE POMPE A EAU 250 2T END               | WATER PUMP COVER END 250 2T END          | TAPA BOMBA AGUA 250 2T END                    |
| 17   | 7967     | 7967     | PROTECTEUR PIGNON CHAINE SE 250/300 EVO           | PIGNON CHAIN PROTECTOR SE 250/300 EVO    | PROTECTOR PINION CADENA SE 250/300 EVO        |
| 18   | 5203     | 5203     | KIT JOINT BAS MOTEUR 250/300 2T END               | KIT GASKET BOTTOM ENGINE 250/300 2T END  | KIT JUNTA MOTOR PARTE INFERIOR 250/300 2T END |
| 19   | 0538     | 0538     | CARTER PIGNON SORTIE DE BOITE 450 / 500 END       | PINION CHAIN COVER 450 / 500 END         | CARTER PROTECTOR PINION CADENA 450 / 500 END  |
| 20   | 8189     | 8189     | COUVERCLE EMBRAYAGE TR/END 4.5 MANGANESE          | CLUTCH COVER TR/END 4.5 MANGANESE        | TAPETA EMBRAGUE TR/END 4.5 MANGANESE          |
| 21   | 4213     | 4213     | RENIFLARD CARTER CENTRAL END 250 2T               | AIR VENT CRANKCASES END 250 2T           | DEPRESOR CARTERS END 250 2T                   |
| 22   | 3946     | 3946     | AIGUILLE 4 X 11.8 BOUTS PLATS                     | NEEDLE ROLLER 4 X 11.8                   | AGUJA 4 X 11.8                                |
| 23   | 3830     | 3830     | CARTER D EMBRAYAGE 250 2T END                     | CLUTCH COVER 250 2T END                  | CARTER EMBRAGUE 250 2T END                    |
| 24   | 0550     | 0550     | VIS TH EP 6 X 55                                  | SREW TH EP 6 X 55                        | TORNILLO TH EP 6 X 55                         |
| 25   | 0549     | 0549     | VIS TH EP 6 X 45                                  | SREW TH EP 6 X 45                        | TORNILLO TH EP 6 X 45                         |
| 26   | 0970     | 0970     | VIS TH EP 6 X 25                                  | SCREW TH EP M6 X 25                      | TORNILLO TH EP M6 X 25                        |
| 27   | 0547     | 0547     | VIS TH EP 6 X 30                                  | SCREW TH EP 6 X 30                       | TORNILLO TH EP 6 X 30                         |
| 28   | 0943     | 0943     | VIS TH EP 6 X 12                                  | SCREW TH EP M6 X 12                      | TORNILLO TH EP M6 X 12                        |
| 29   | 3826     | 3826     | VIS TH EP 6 X 70                                  | SREW TH EP 6 X 70                        | TORNILLO TH EP 6 X 70                         |
| 30   | 0591     | 0591     | VIS TH EP 6 X 40                                  | SCREW TH EP 6 X 40                       | TORNILLO TH EP 6 X 40                         |
| 31   | M644     | M644     | JOINT TORIQUE 23 X 2.5 BOUCHON FILTRE HUILE TRIAL | O-RING 23 X 2.5 CAP OIL FILTER TRIAL     | JUNTA TORICA 23 X 2 TAPON FILTRO ACIETE TRIAL |
| 32   | 3835     | 3835     | BOUCHON POMPE EAU 18.5 250 2T END                 | WATERPUMP CAP 18.5 250 2T END            | TAPON BOMBA DEL AGUA 18.5 250 2T END          |
| 33   | 8189     | 8189     | COUVERCLE EMBRAYAGE TR/END 4.5 MANGANESE          | CLUTCH COVER TR/END 4.5 MANGANESE        | TAPETA EMBRAGUE TR/END 4.5 MANGANESE          |
| 34   | 2390     | 2390     | RONDILLE CUIVRE 6 X 12 X 1.5 UNITAIRE             | WASHER COPPER 6 X 12 X 1.5 UNITARY       | ARANDELA COBRE 6 X 12 X 1.5 UNIDAD            |

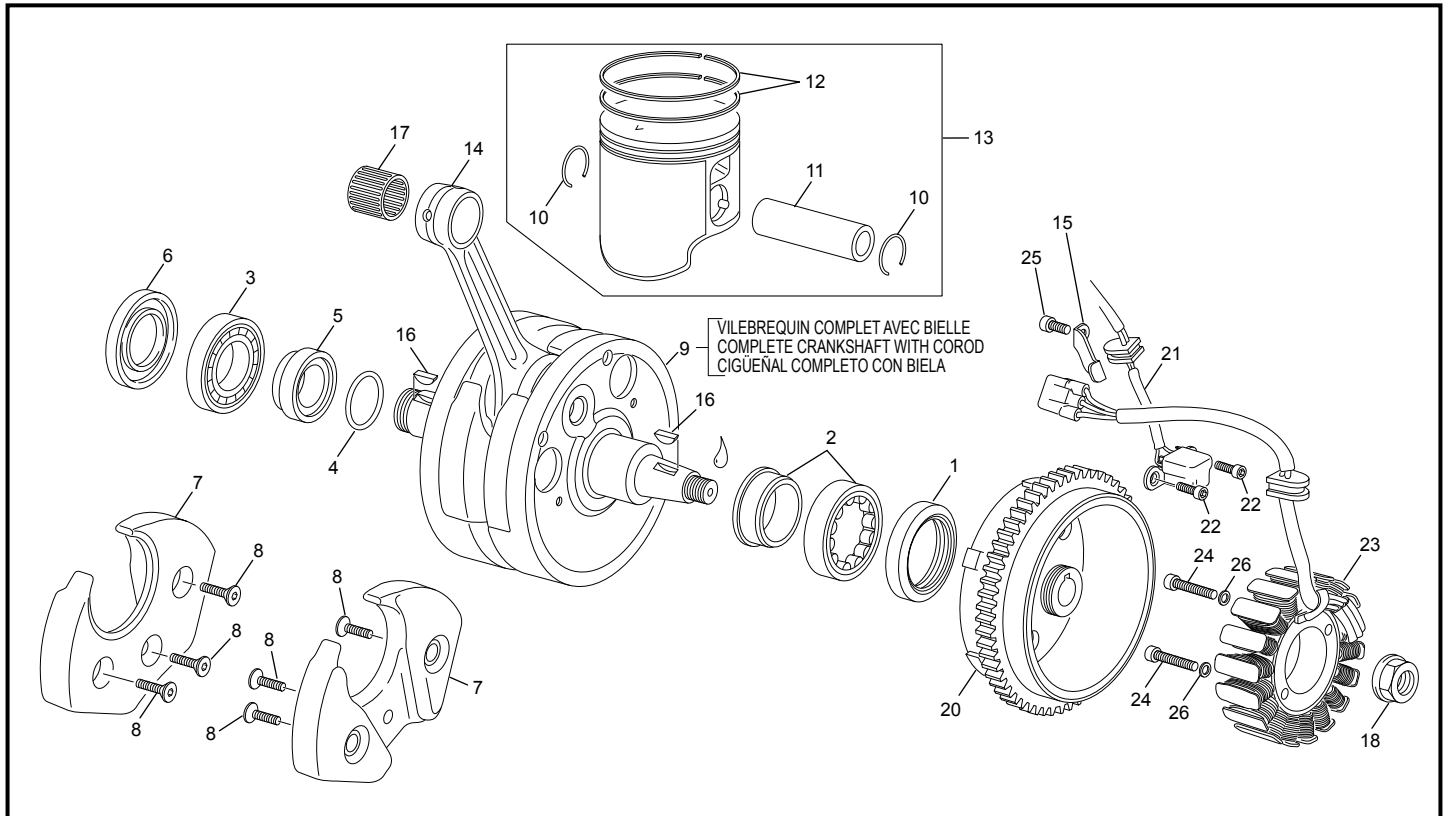
\*Sherco se réserve les droits de modification des références, merci de contrôler sur le portail Sherconetwork avant toute commande. - \*Sherco reserves the right to make change on the references, please check on your Sherconetwork portal before ordering.  
 \*Sherco se reserva el derecho para hacer modificaciones sobre las referencias. Por favor, verifica en el Sherconetwork antes de hacer un pedido.

### Groupe carters / Crankcase assembly / Grupo carters



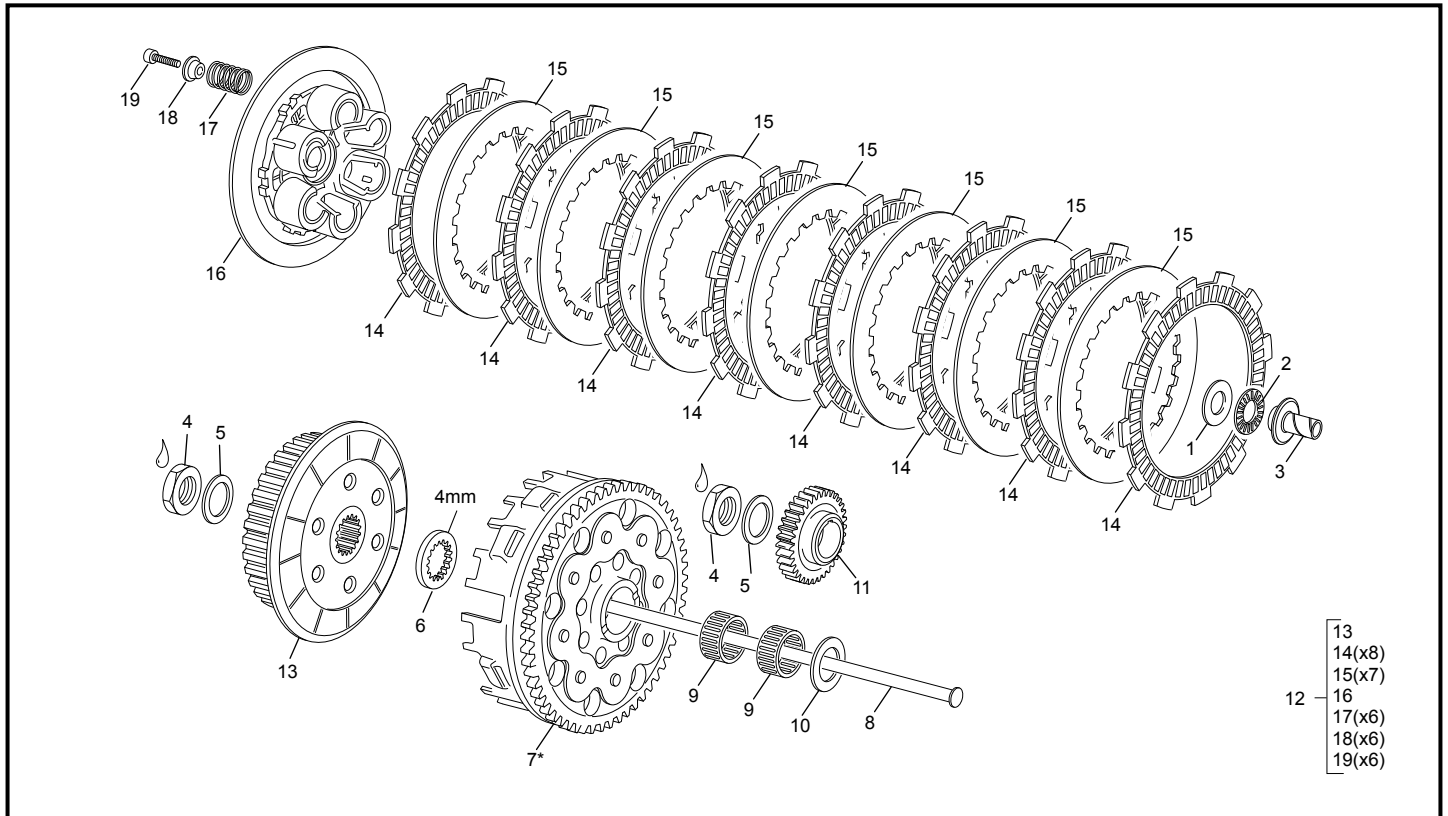
| POS. | 250 SC-R | 300 SC-R | FRANÇAIS                                          | ENGLISH                                             | ESPAÑOL                                           |
|------|----------|----------|---------------------------------------------------|-----------------------------------------------------|---------------------------------------------------|
| 35   | 0855     | 0855     | BOUCHON TSC/FOM 10 X 1 VILO 250 END               | PLUG TSC/FOM 10 X 1 250 END WITHOUT EXTERNAL WASHER | TAPON TSC/FOM 10 X 1 250 END                      |
| 36   | 1661     | 1661     | RONDELLE ALU 10 X 14 X 1.5 END 250                | WASHER ALU 10 X 14 X 1.5 END 250                    | ARENDELLA ALU 10 X 14 X 1.5 END 250               |
| 37   | 7969     | 7969     | TUBE LUBRIFICATION BOITE COMPLET 250 2T END EVO   | ASSY LUBRIFICATION TUBE 2T 2T END EVO               | TUBO ACEITE CAMBIO 2T EVO                         |
| 38   | 0936     | 0936     | ROTOR DE POMPE A EAU 250 END                      | WATER PUMP ROTOR 250 END                            | ROTOR BOMBA AGUA 250 END                          |
| 39   | 6071     | 6071     | JOINT LEVRE 12 X 24 X 4.5 BAL PRESSION            | SEAL RING 12 X 24 X 4.5 BAL PRESSION                | RETEN 12 X 24 X 4.5 BAL PRESSION                  |
| 40   | 8003     | 8003     | AXE POMPE A EAU 250 2T END EVO                    | WATER PUMP AXLE 250 2T END EVO                      | EJE BOMBA AGUA 250 2T END DLC EVO                 |
| 41   | 0939     | 0939     | ROULEMENT 16100 250 END                           | BALL BEARING 16100 250 END                          | COJINETE 16100 250 END                            |
| 42   | 3862     | 3862     | PIGNON ENTRAINEMENT POMPE A EAU Z27 250 2T END    | WATER PUMP GEAR DRIVEN Z27 250 2T END               | PINON POMPA AGUA ENTRENAMIENTO Z27 250 2T END     |
| 43   | 5493     | 5493     | RONDELLE CALAGE 8.1 X 19.5 X 1 250 2T END         | WASHER CALAGE 10.1 X 19.5 X 1 250 2T END            | ARANDELA CALAGE 10.1 X 19.5 X 1 250 2T END        |
| 44   | MO29     | MO29     | ROULEMENT AIGUILLE POMPE EAU HK0808               | WATER PUMP NEEDLE BEARING HK 0808                   | COJINETE AGUJAS BOMBA AGUA HK 0808                |
| 45   | 4635     | 4635     | DURITE RENIFLEUR HUILE END 250/300 2T PVC 4X6X310 | OIL BREATHING HOUSEL END 250/300 2T PVC 4X6X310     | TUBO VENTILACION ACIETEEND 250/300 2T PVC 4X6X310 |
| 46   | 4221     | 4221     | JOINT TORIQUE 5,00 X 1.2 VITON                    | O RING 5,00 X 1.2 VITON                             | TORICA 5,00 X 1.2 VITON                           |
| 47   | 0549     | 0549     | VIS TH EP 6 X 45                                  | SREW TH EP 6 X 45                                   | TORNILLO TH EP 6 X 45                             |
| 48   | 6071     | 6071     | JOINT LEVRE 12 X 24 X 4.5 BAL PRESSION            | SEAL RING 12 X 24 X 4.5 BAL PRESSION                | RETEN 12 X 24 X 4.5 BAL PRESSION                  |
| 49   | 3822     | 3822     | GOIJON CYLINDRE 250 2T END                        | CYLINDER PIN 250 2T END                             | CILINDRO TORNILLO 250 2T END                      |
| 50   | 1701     | 1701     | ENTRETOISE CARTER DE CHAINE 250                   | SPACER CHAIN COVER                                  | CASQUILLO TAPON CADENA                            |

### Villebrequin assemble / Crankshaft assembly / Cigüeñal biela



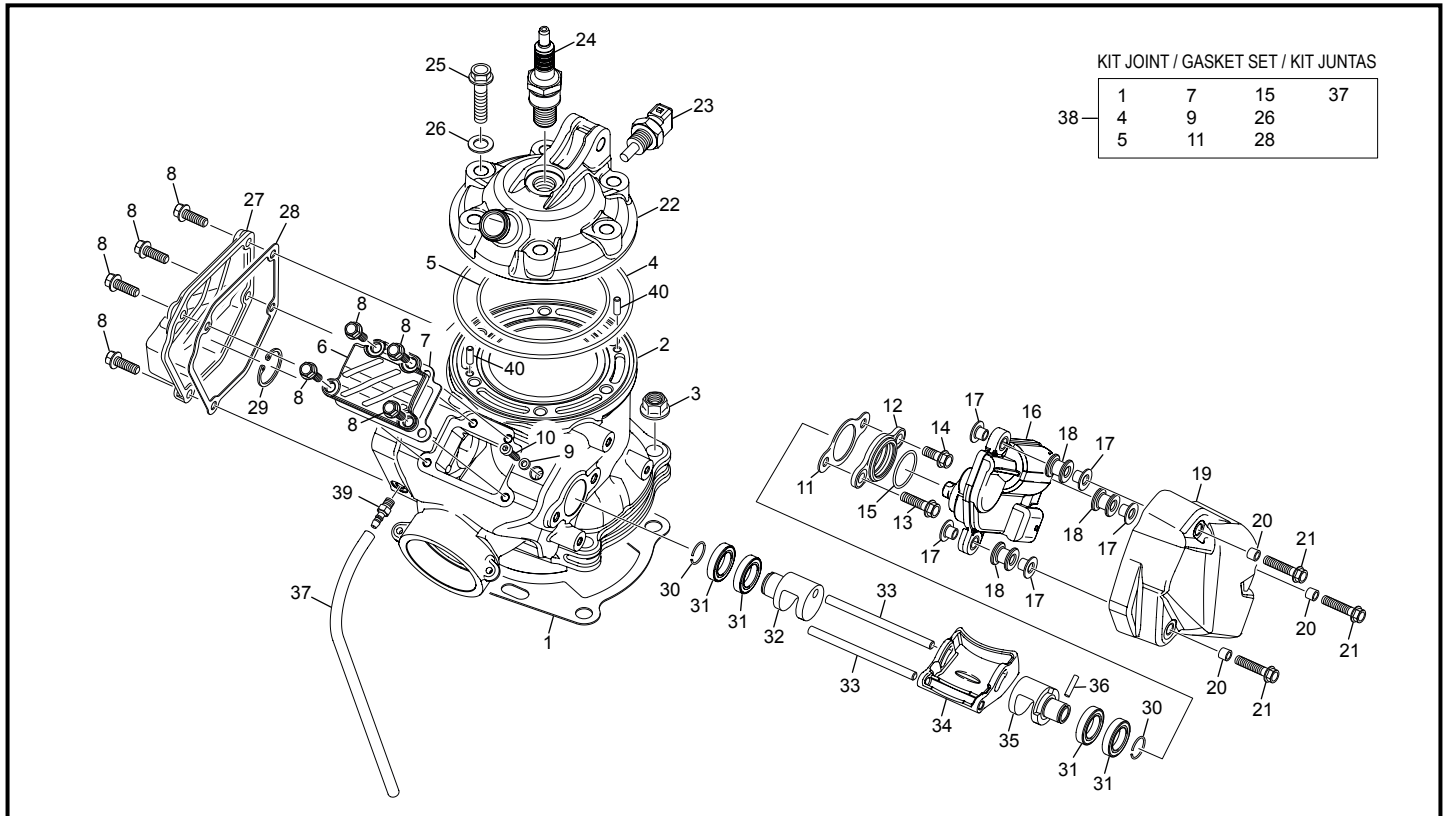
| POS. | 250 SC-R | 300 SC-R | FRANÇAIS                                 | ENGLISH                               | ESPAÑOL                                   |
|------|----------|----------|------------------------------------------|---------------------------------------|-------------------------------------------|
| 1    | 3836     | 3836     | JOINT LEVRE 30X42X7 VITON DL 250 2T END  | SEAL RING 30X42X7 VITON DL 250 2T END | RETEN 30X42X7 VITON DL 250 2T END         |
| 2    | 1592     | 1592     | ROULEMENT ROULEAUX NJ206 EPC/C3 HVC 058  | ROLLER BEARING NJ206 EPC/C3 HVC 058   | COJINETE ROLO NJ206 EPC/C3 HVC 058        |
| 3    | 1206     | 1206     | ROULEMENT BILLE VILO 6206TN9/C3          | CRANKSHAFT BEARING 6206TR9/C3         | COJINETE CIGÜEÑAL 6206TR9/C3              |
| 4    | 4215     | 4215     | JOINT TORIQUE 22X3.5 DIN 3771-1 FPM      | O RING 22 X 3.5 DIN 3771-1 FPM        | TORICA 22.4 X 3.55 DIN 3771-1 FPM         |
| 5    | 4214     | 4214     | ENTRETOISE VILEBREQUIN 250 2T            | BUSCH PRIMARY GEAR 250 2T             | CASQUILLO PINION PRIMARIO CIGEGNAL 250 2T |
| 6    | 3837     | 3837     | JOINT LEVRE 38X52X7 DL 250 2T END        | SEAL RING 38X52X7 DL 250 2T END       | RETEN 38X52X7 DL 250 2T END               |
| 7    | 8086     | 8086     | MASELOTTE VILEBREQUIN 250 SE.            | PLASTIC WEIGHT CRANK 250 SE           | GANCHETE CIGÜEÑAL 250 SE                  |
| 8    | 3205     | 3205     | VIS FHC 6X16                             | SCREW FHC 6X16                        | TORNILLO AVELLANADO M 6X16 DIN 7998       |
| 9    | 3815     | 3815     | VILEBREQUIN ASSEMBLE 250 /300 2T END     | CRANKSHAFT ASSY 250 /300 2T END       | CIGÜEÑAL COMPLETO 250 /300 2T END         |
| 10   | 6262     | 6262     | CLIP PISTON 250/300 2T EVO               | STOP RING 250/300 2T EVO              | CIRCLIP PISTON 250/300 2T EVO             |
| 11   | 6263     | 6263     | AXE DE PISTON 250/300 END 2T EVO         | PISTON PIN 250/300 END 2T EVO         | BULON PISTON 250/300 END 2T EVO           |
| 12   | 6690     | 6264     | SEGMENTS PISTON 250 END 2T JEUX          | PISTON RING 250 END 2S SET            | ARO PISTON 250 END 2T JUEGO               |
| 13   | 5937     | 4820     | PISTON CPL 250 CC "A" 2T END EVO         | PISTON CPL 250 CC "A" 2ST END EVO     | PISTON CPL 250 CC "A" 2T END EVO          |
| 13   | 5938     | 4826     | PISTON CPL 250 CC "B" 2T END EVO         | PISTON CPL 250 CC "B" 2ST END EVO     | PISTON CPL 250 CC "B" 2T END EVO          |
| 14   | 3839     | 3839     | KIT BIELLE 250 SE                        | CONNECTING ROD KIT 250 2T END         | KIT BIELA 250 2T END                      |
| 15   | 3828     | 3828     | PLAQUE MAINTIEN FAISCEAU ALLUMAGE 2T END | FIXATION HARNESS PLATE 2T END         | PLACA FIJACION HAZ 2T END                 |
| 16   | 4224     | 4224     | CLAVETTE DEMI LUNE DM 13 T4              | WOODDURFF DM 13 T4                    | CHAVETA MEDIA LUNA DM 13 T4               |
| 17   | 5152     | 5152     | CAGE A AIGUILLE PISTON 250/300 END 2T    | NEEDLE BEARIND 250/300 END 2S         | COJINETE DE AGUJAS 250/300 END 2T         |
| 18   | 1405     | 1405     | ECROU SPECIAL M12 X 1 250/450            | NUT M12 X 1 250/450                   | TUERCA M12 X 1 250/450                    |
| 20   | 7471     | 7471     | ROTOR ALLUMAGE 250 SE EVO 2              | INGNITION ROTOR 250 SE EVO 2          | ROTOR ENCENDIDO 250 SE EVO 2              |
| 21   | 4075     | 4075     | CAPTEUR VOLANT 2T END                    | PULSEUR COIL 2T END                   | MOTOR ACTUATOR 2T END                     |
| 22   | 2990     | 2990     | VIS CHC M5X12 ZI PRE IMPREGNEE FAIBLE    | SCREW CHC M5X12 ZI                    | TORILLO CHC M5X12 ZI                      |
| 23   | 7408     | 7408     | STATOR ALLUMAGE 250 SE EVO               | INGNITION STATOR 250 SE EVO           | STATOR ENCENDIDO 250 SE EVO               |
| 24   | 1029     | 1029     | VIS CHC M5 X 20 PRE IMPREGNEE MOYEN      | SCREW M5 X 20                         | TORNILLO M5 X 20                          |
| 25   | 1474     | 1474     | VIS CHC M4 X 8 PRE IMPREGNEE FAIBLE      | SCREW M4 X 8 CHC                      | TORNILLO M4X8 CHC                         |
| 26   | 4751     | 4751     | RONDILLE SCHNORR M5 ZI                   | RONDILLE SCHNORR M5 ZI                | RONDILLE SCHNORR M5 ZI                    |

### Embrayage Adler / Adler Clutch / Embrague Adler



| POS. | 250 SC-R | 300 SC-R | FRANÇAIS                                 | ENGLISH                            | ESPAÑOL                             |
|------|----------|----------|------------------------------------------|------------------------------------|-------------------------------------|
| 1    | 0147     | 0147     | RONDELLE AS 1528                         | WASHER AS 1528                     | ARANDELA AS 1528 I                  |
| 2    | 0146     | 0146     | BUTEE AIGUILLE AXK 1528                  | NEEDL AXIAL BEARING AXK 1528       | CORONA COJINETE AGUJAS AXK 1528     |
| 3    | 0145     | 0145     | POUSSOIR DE PLATEAU END                  | CLUTCH PULLER END                  | PULSADOR AXIAL END                  |
| 4    | 0051     | 0051     | ECROU SPECIAL M20 X 1 END 450            | SPECIAL SREW M20 X 1 END           | TUERCA ESPECIAL M20 X 1 END         |
| 5    | 0050     | 0050     | RONDELLE CONIQUE 20/21/32/1.2 BN1225     | WASHER CONIQUE 20/21/32/1.2 BN1225 | ARANDELA CONICA 20/21/32/1.2 BN1225 |
| 6    | 4054     | 4054     | RONDELLE BUTEE CRENELEE 4MM END 455      | WASHER SPACER CRENELEE 455 END     | ARANDELA CRENELEE 455 END           |
| 7    | 8468     | 8468     | GROUPE EMBRAYAGE 250/300 SE 644          | CLUTCH SET 250 SE 644              | GRUPO EMBRAGUE 250 SE 644           |
| 8    | 3814     | 3814     | TIGE DE POUSSEE ENB 250 2T END           | CLUTCH SPINDLE 250 2T END          | VARILLA EMB 250 2T END              |
| 9    | 4226     | 4226     | CAGE AIGUILLE K 25 X 29 X 10-A           | NEEDL BEARING K 25 X 29 X 10-A     | COJINETE AGUJAS K 25 X 29 X 10-A    |
| 10   | 4225     | 4225     | RONDELLE 25 X35X1.6 250 END 2T           | SHAFT WASHER 25 X35X1.6 250 END 2T | ARANDELLA 25 X35X1.6 250 END 2T     |
| 11   | 3848     | 3848     | PIGNON PRIMAIRE Z 27 250 2T END          | PRIMARY GEAR Z27 250 2T END        | PINON PRIMARIA Z27 250 2T END       |
| 12   | 7473     | 7473     | GROUPE EMBRAYAGE COURONNE 250/300 SE EVO | CLUTCH SET 250/300 SE EVO          | GRUPO EMBRAGUE 250/300 SE EVO       |
| 13   | 6612     | 6612     | NOIX D EMBRAYAGE EVO                     | BOSS CLUTCH EVO                    | MAZA EMBRAGUE EVO                   |
| 14   | 7835     | 7835     | DISQUE EMBRAYAGE GARNI 480               | PLATE FRICTION 2 480               | DISCO FERRADO 480                   |
| 15   | 5444     | 5444     | DISQUE LISSE                             | METAL CLUTCH DISK                  | DISCO EMBRAGUE METALICO             |
| 16   | 6594     | 6594     | PLATEAU PRESSION 450 SEF EVO             | PLATE PRESSURE 450 SEF EVO         | PLATO DE PRESION 450 SEF EVO        |
| 17   | 5447     | 5447     | RESSORT D` EMBRAYAGE 250/300 SE          | CLUTCH SPRING 250/300 SE           | MUELLE EMBRAGUE 250/300 SE          |
| 18   | 5446     | 5446     | RONDELLE RESSORT EMBRAYAGE               | SPRING WASHER                      | ARANDELLA EMBRAGE                   |
| 19   | 0808     | 0808     | VIS CHC 6 X 30 UNI 5931 12.9             | SCREW CHC 6 X 30 DIN 912 12.9      | TORNILLO 6 X 30 DIN 912 12.9        |

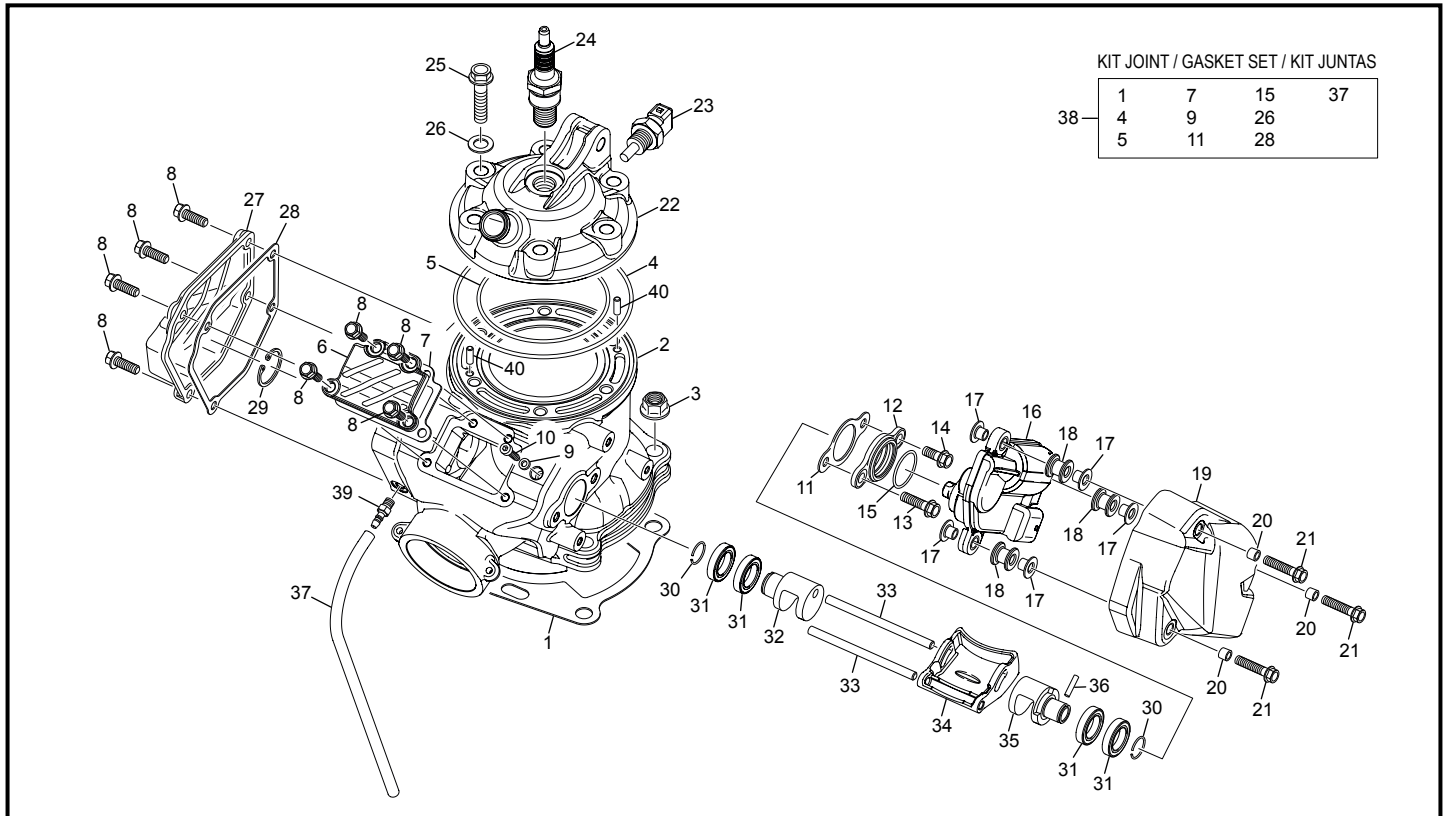
### Cylindre-Culasse / Cylinder-Cylinder head / Cilindro-Culata



| POS. | 250 SC-R | 300 SC-R | FRANÇAIS                                       | ENGLISH                                       | ESPAÑOL                                      |
|------|----------|----------|------------------------------------------------|-----------------------------------------------|----------------------------------------------|
| 1    | 3840     | 3840     | JOINT EMBASE CYLINDRE END 2T END 0.5MM         | CILINDER GASKET END 2T END 0.5 MM             | JUNTA CILINDRO END 2T END 0.5 MM             |
| 1    | 4942     | 4942     | JOINT EMBASE CYLINDRE END 250 2T END 0.3 MM    | CILINDER GASKET END 250 2T END 0.3 MM         | JUNTA CILINDRO END 250 2T END 0.3 MM         |
| 1    | 4943     | 4943     | JOINT EMBASE CYLINDRE END 250 2T END 0.75 MM   | CILINDER GASKET END 250 2T END 0.75 MM        | JUNTA CILINDRO END 250 2T END 0.75 MM        |
| 1    | 5027     | 5027     | JOINT EMBASE CYLINDRE END 250 2T END 1 MM      | CILINDER GASKET END 250 2T END 1 MM           | JUNTA CILINDRO END 250 2T END 1 MM           |
| 2    | 6844     | 6843     | CYLINDRE 250 2T SE EVO                         | CYLINDER 250 2T SE EVO                        | CILINDRO 250 2T SE EVO                       |
| 3    | 2954     | 2954     | ECROU EMBASE M10 X 1.5                         | FLANGENUT M10 X 1.5                           | TUERCA CON VALONA M10 X1.5                   |
| 4    | 3819     | 3819     | JOINT TORIQUE CULASSE EXT 107X2 NBR 250 2T END | CILYNDER HEAD O-RING EXT 107X2 NBR 250 2T END | JUNTA TORICA CULATA EXT 107X2 NBR 250 2T END |
| 5    | 3818     | 3818     | JOINT TORIQUE 77X2 FPM CULASSE INT 250 2T END  | CILYNDER HEAD O-RING INT 77X2 FPM 250 2T END  | JUNTA TORICA CULATA INT 77X2 FPM 250 2T END  |
| 6    | 7085     | 7085     | COUVERCLE VALVE 250 SE EVO                     | MAIN VALVE COVER 250 SE EVO                   | TAPETAS VALVOLA 250 SE EVO                   |
| 7    | 7086     | 7086     | JOINT COUVERCLE VALVE 250 SE EVO               | MAIN VALVE COVER SEAL 250 SE EVO              | JUNTAS TAPETAS VALVOLA 250 SE EVO            |
| 8    | 0888     | 0888     | VIS TH EP 5 X 16                               | SCREW TH EP M5 X16                            | TORNILLO TH EP M5 X16                        |
| 9    | 7097     | 7097     | JOINT CUIVRE 4X7X1                             | GASKET RING 4X7X1                             | JUNTA COBRE 4X7X1                            |
| 10   | 7096     | 7096     | VIS SPECIALE M4X20                             | SPECIAL SCREW M4X20                           | TORNILLO SPECIAL M4X20                       |
| 11   | 7088     | 7088     | JOINT SUPPORT ACTUATEUR SBS                    | SBS ACTUATOR SUPPORT SEAL                     | JUNTAS SOPPORTE ACTUATOR SBS                 |
| 12   | 7087     | 7087     | SUPPORT ACTUATEUR SBS                          | SBS ACTUATOR SUPPORT                          | SOPPORTE ACTUATOR SBS                        |
| 13   | 0546     | 0546     | VIS TH EP 6 X 20                               | SREW TH EP 6 X 20                             | TORNILLO TH EP 6 X 20                        |
| 14   | 0656     | 0656     | VIS TH EP 6 X 16                               | SREW TH EP 6 X 16                             | TORNILLO TH EP 6 X 16                        |
| 15   | 7102     | 7102     | O-RING 22 X 1.5 FPKM                           | O-RING 22 X 1.5 FPKM                          | O-RING 22 X 1.5 FPKM                         |
| 16   | 6933     | 6933     | ACTUATEUR MOTEUR SE EVO                        | ACTUATOR MOTOR 250/300 2T END                 | MOTOR ACTUATOR 250/300 2T END                |
| 17   | 7090     | 7090     | ENTRETOISE SUPPORT ACTUATEUR SBS               | SBS ACTUATOR SPACER                           | DISTENCIAL SOPPORTE ACTUATOR SBS             |
| 18   | 7089     | 7089     | SILENT BLOC ACTUATEUR SBS                      | RUBBER DUMPER SBS ACTUATOR                    | SILENTBLOCK ACTUATOR SBS                     |
| 19   | 7093     | 7093     | CAPOT DE VALVE SBS                             | SBS VALVE COVER                               | TAPA VALVULA SBS                             |
| 20   | 7094     | 7094     | ENTRETOISE COUVERCLE SBS                       | SBS SPACER COVER                              | DISTENCIAL TAPAS SBS                         |
| 21   | 7103     | 7103     | VIS TH EP 5 X 25                               | SREW TH EP 5 X 25                             | TORNILLO TH EP 5 X 25                        |
| 22   | 8167*    | 8188*    | CULASSE                                        | CYLINDER HEAD                                 | CULATA                                       |
| 23   | 0380     | 0380     | CAPTEUR EAU END                                | SENSOR WATER END                              | SENSOR AGUA END                              |
| 24   | 6619     | 6619     | BOUGIE BR7ES                                   | SPARK PLUG BR7ES                              | BUJIA BR7ES                                  |
| 25   | 3254     | 3254     | VIS TH EP M8 X 35 END                          | SCREW SPECIAL M 8 X 35 TE END                 | TORNILLO HEXA M8 X 35 END                    |
| 26   | 4222     | 4222     | RONDELLE CUIVRE 8.3 X 16 X 0.8                 | WASHER COPPER 8.3 X 16 X 0.8                  | ARANDELA COBRE 8.3 X 16 X 0.8                |
| 27   | 7083     | 7083     | COUVERCLE ATAC 250 SE EVO                      | ATAC COVER 250 SE EVO                         | TAPETAS ATAC 250 SE EVO                      |
| 28   | 7084     | 7084     | JOINT COUVERCLE ATAC 250 SE EVO                | ATAC COVER SEAL 250 SE EVO                    | JUNTAS TAPETAS ATAC 250 SE EVO               |
| 29   | 7095     | 7095     | CIRCLIP 24X1 DIN 472                           | CIRCLIP D 38 DIN 472                          | CIRCLIP 24X1 DIN 472                         |
| 30   | 7098     | 7098     | CLIPS D 14 DIN 7993                            | CLIPS D 14 DIN 7993                           | CLIPS D 14 DIN 7993                          |
| 31   | 7099     | 7099     | ROULEMENT A BILLES 61802 2RS                   | BEARING BALL 61802 2RS                        | COJINETE 61802                               |

\*Sherco se réserve les droits de modification des références, merci de contrôler sur le portail Sherconetwork avant toute commande. - \*Sherco reserves the right to make change on the references, please check on your Sherconetwork portal before ordering.  
 \*Sherco se reserva el derecho para hacer modificaciones sobre las referencias. Por favor, verifica en el Sherconetwork antes de hacer un pedido.

### Cylindre-Culasse / Cylinder-Cylinder head / Cilindro-Culata



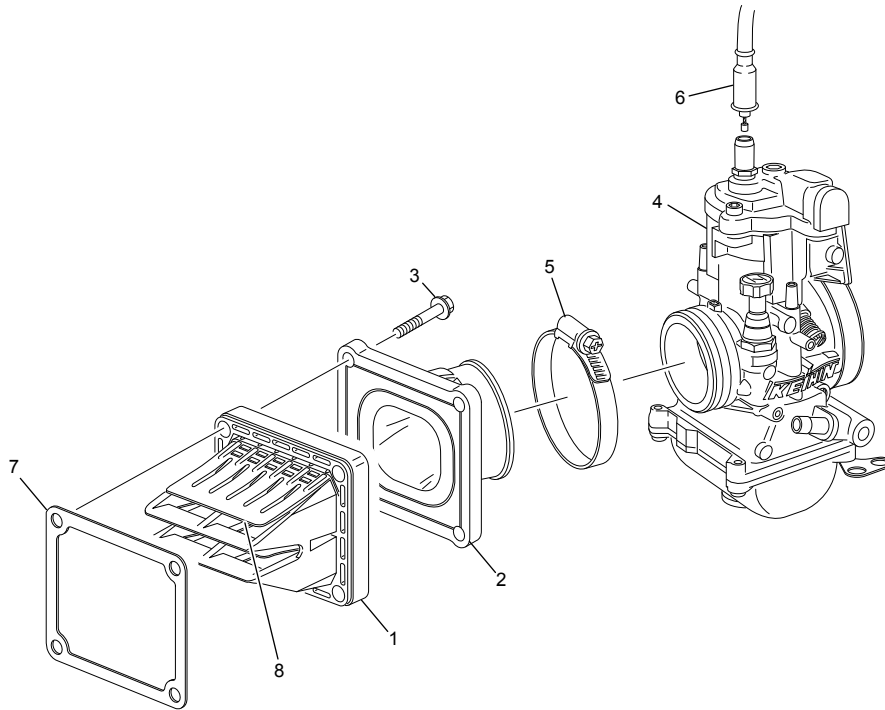
KIT JOINT / GASKET SET / KIT JUNTAS

|   |    |    |    |
|---|----|----|----|
| 1 | 7  | 15 | 37 |
| 4 | 9  | 26 |    |
| 5 | 11 | 28 |    |

| POS. | 250 SC-R | 300 SC-R | FRANÇAIS                                | ENGLISH                           | ESPAÑOL                                   |
|------|----------|----------|-----------------------------------------|-----------------------------------|-------------------------------------------|
| 32   | 7082     | 7082     | BARILLET DE VALVE DROITE 250 SE EVO     | POWER VALVE DRUM RIGHT 250 SE EVO | DESMODRONICO VALVOLA DERECHA 250 SE EVO   |
| 33   | 7100     | 7100     | AIGUILLE 5X78                           | NEDDLE 5X78                       | AGUJA 5X78                                |
| 34   | 7130     | 7131     | VALVE PRINCIPALE 250 SE                 | MAIN VALVE END 250 SE             | VÁLVULA 250 SE                            |
| 35   | 7081     | 7081     | BARILLET DE VALVE GAUCHE 250/300 SE EVO | POWER VALVE DRUM LEFT 250 SE EVO  | DESMODRONICO VALVOLA IZQUIERDA 250 SE     |
| 36   | 7101     | 7101     | AIGUILLE 3X13 ISO 3096 B                | NEDDLE 3X13 ISO 3096 B            | AGUJA 3X13 ISO 3096 B                     |
| 37   | 7092     | 7092     | DURITE VIDANGE                          | DRAIN TUBE                        | TUBOS DE DRENAJE                          |
| 38   | 7409     | 7409     | KIT JOINT HAUT MOTEUR 250 SE EVO        | KIT GASKET TOP ENGINE 250 SE EVO  | KIT JUNTA MOTOR PARTE SUPERIOR 250 SE EVO |
| 39   | 7091     | 7091     | GICLEUR VALVE                           | DRAIN SCREW                       | CHICLE VALVOLA                            |
| 40   | 3946     | 3946     | AIGUILLE 4 X 11.8 BOUTS PLATS           | NEEDLE ROLLER 4 X 11.8            | AGUJA 4 X 11.8                            |

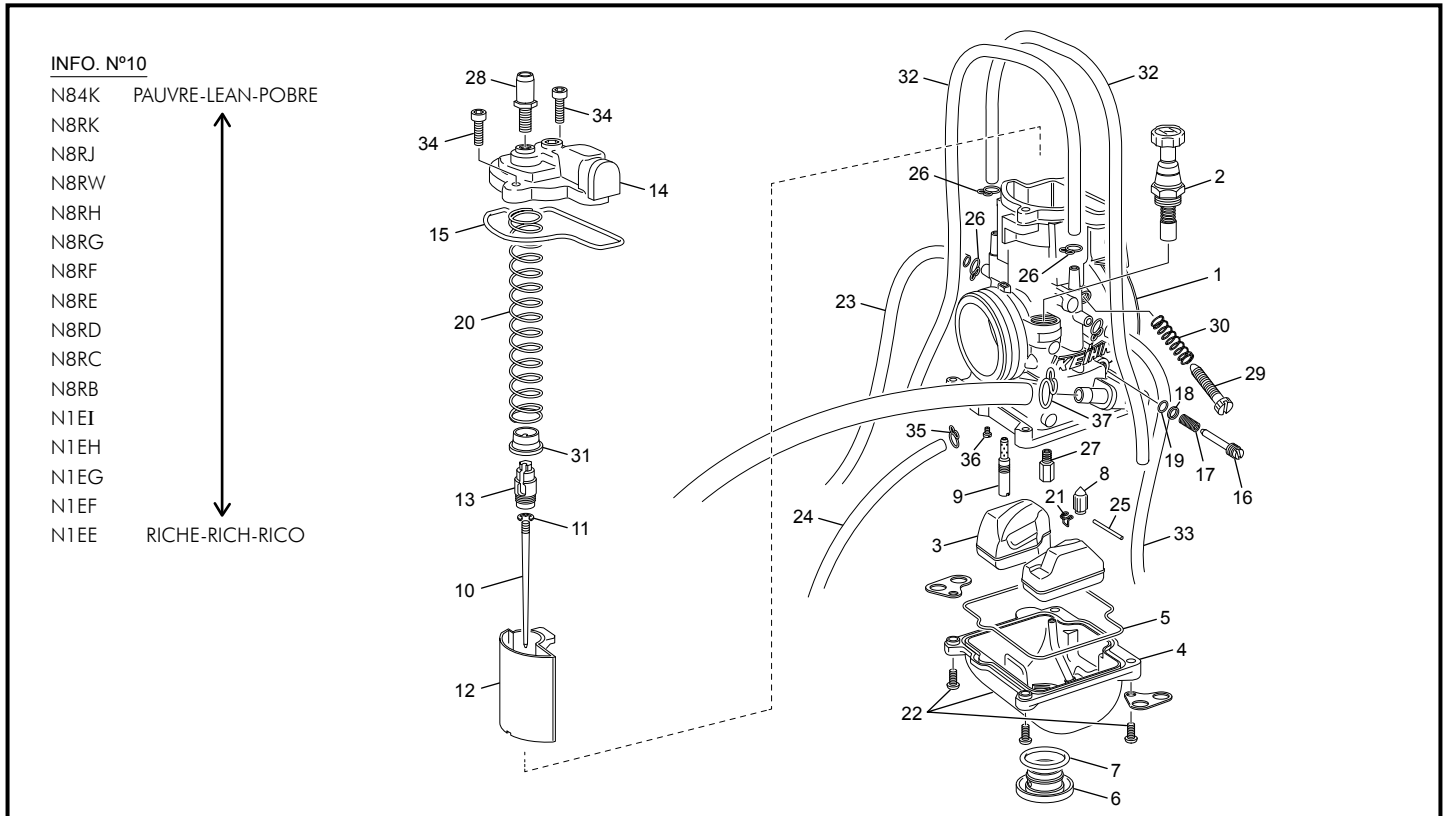


## Boîte à clapet / Reed value / Caja de láminas



| POS. | 250 SC-R | 300 SC-R | FRANÇAIS                                   | ENGLISH                                   | ESPAÑOL                                        |
|------|----------|----------|--------------------------------------------|-------------------------------------------|------------------------------------------------|
| 1    | 7909     | 7477     | BOITE CLAPET 125/250 2T COMPLETE EVO 3     | REEDS CASE 125 250 CC COMPLETE EVO 3      | CAJA LAMINAS 125 250 CC 2T CON AIR GUIDE EVO 3 |
| 2    | 7470     | 7470     | PIPE ADMISSION 125/250/300 SE EVO          | INTAKE MANIFOLD 125/250/300 SE EVO        | PIPA ADM 125/250/300 SE EVO                    |
| 3    | 0970     | 0970     | VIS TH EP 6 X 25                           | SCREW TH EP M6 X 25                       | TORNILLO TH EP M6 X 25                         |
| 4    | 8034     | 8033     | CARBUTATEUR KEIHIN 125 / 250 2T END EURO 4 | CARBURETOR KEIHIN 125 / 250 2T END EURO 4 | CARBURADOR KEIHIN 125 / 250 2T END EURO 4      |
| 5    | 7297     | 7297     | COLLIER MANCHON 250/300 SE                 | COLLAR HOSE 250/300 SE +SPACER 5.5 MM     | BRIDA TOBERA 250/300 SE                        |
| 6    | 4425     | 4425     | CABLE DE GAZ END 125/250/300               | THROTTLE WIRE END 125/250/300             | CABLE DE GAS END 125/250/300                   |
| 7    | 3866     | 3866     | JOINT BOITE CLAPET 250 2T END              | REEDS CASE GASKET 250 2T END              | JUNTA CAJA LAMINAS 250 2T END                  |
| 8    | 8467     | 8466     | KIT LAMELLES BOITE CLAPET 7909             | PETAL REEDS CASE 7909                     | KIT LAMINAS CAJA LAMINAS 7909                  |

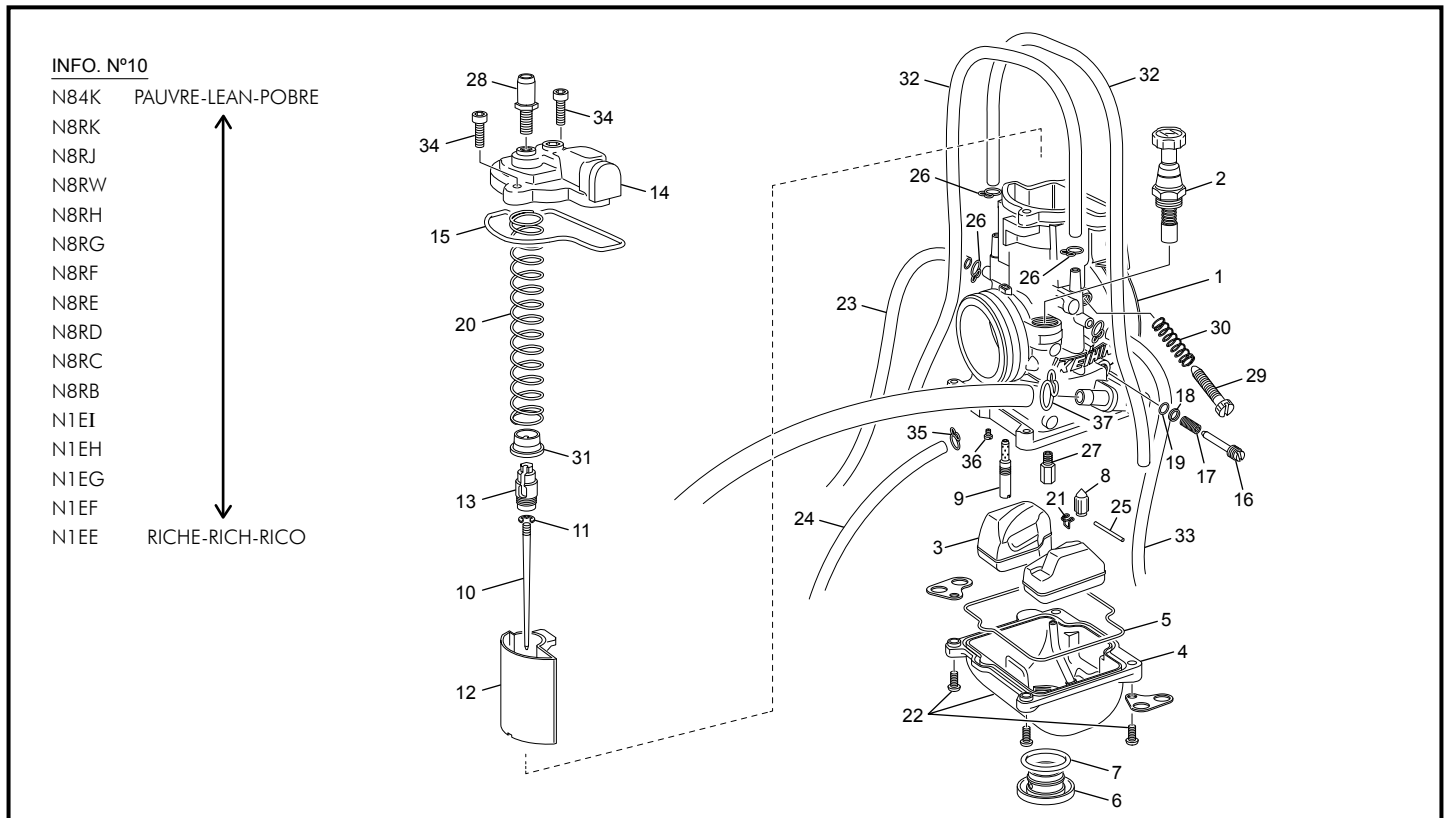
### Carburateur / Carburetor / Carburador KEIHIN PWK 36



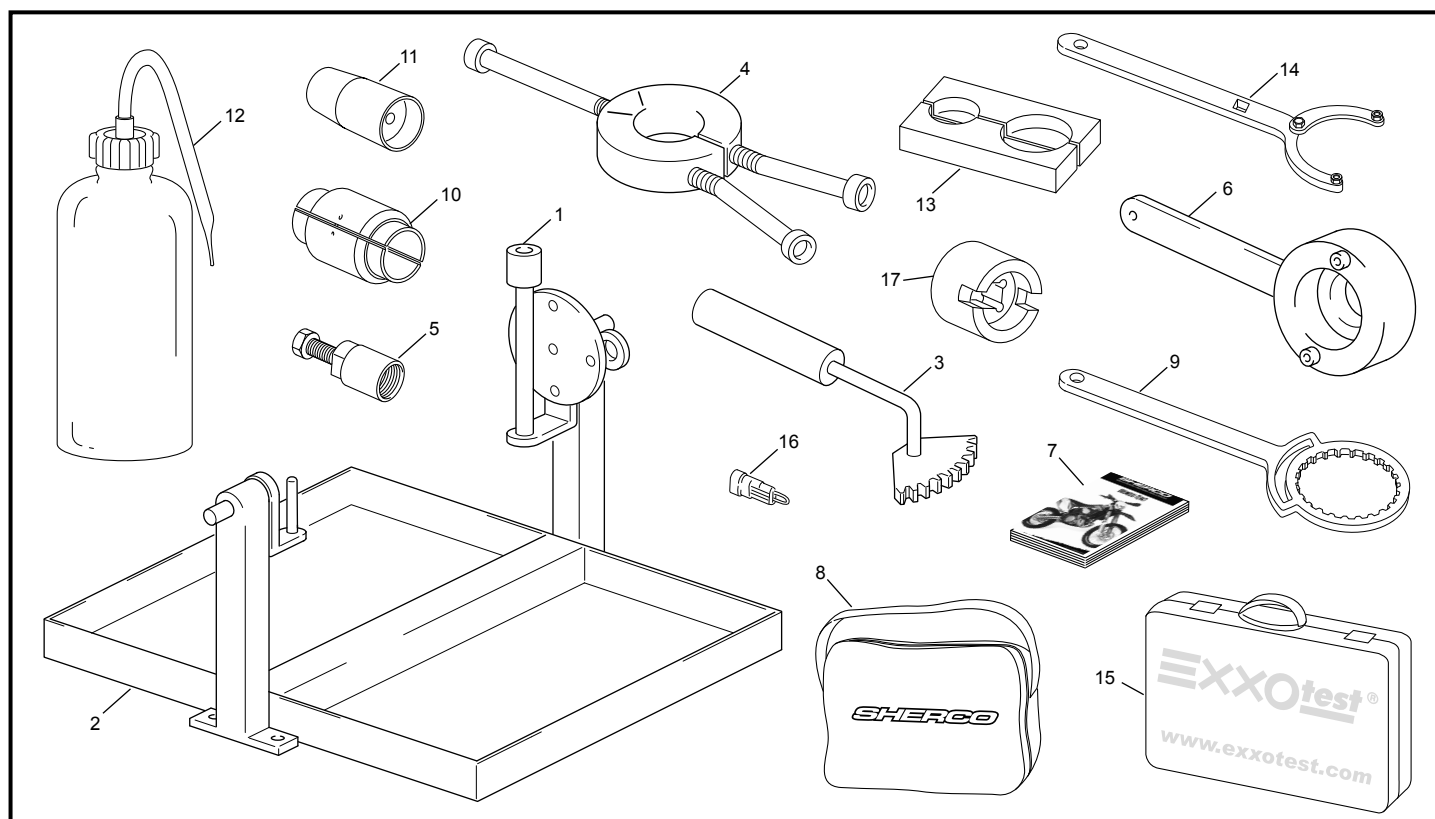
| POS. | 250 SC-R | 300 SC-R | FRANÇAIS                                         | ENGLISH                                          | ESPAÑOL                                         |
|------|----------|----------|--------------------------------------------------|--------------------------------------------------|-------------------------------------------------|
| 1    | 8034     | 8033     | CARBUTATEUR KEIHIN 125 / 250 2T END EURO 4       | CARBURETOR KEIHIN 125 / 250 2T END EURO 4        | CARBURADOR KEIHIN 125 / 250 2T END EURO 4       |
| 2    | 5155     | 5155     | COMMANDE STARTER 125 / 250 / 300 END 2T          | COMPLETE VALVE STARTER 125 / 250 / 300 END 2T    | MANDO STARTER 125 / 250 / 300 END 2T            |
| 3    | 5156     | 5156     | FLOTEUR DE CARBU KEIHIN 125 / 250 / 300 END 2T   | CARBURATOR FLOTEUR KEIHIN 125 / 250 / 300 END 2T | BOYA CARBU KEIHIN 125 / 250 / 300 END 2T        |
| 4    | 5157     | 5157     | CUVE CARBURATEUR KEIHIN 250/300 END 2T           | CARBURATOR CUVE KEIHIN 250/300 END 2S            | CUBA CARBURADOR KEIHIN 250/300 END 2T           |
| 5    | 5158     | 5158     | JOINT CUVE CARBURETOR KEHIN 250/300 END 2T       | FLOT CHAMBER GASKET 250/300 END 2T               | JUNTA CUBA CARBURADOR KEIHIN 250/300 END 2T     |
| 6    | 5159     | 5159     | BOUCHON CUVE CARBURETOR KEHIN 125/250/300 END 2T | FLOT CHAMBER CAP 125/250/300 END 2T              | TAPON CUBA CARBURADOR KEIHIN 125/250/300 END 2T |
| 7    | 1334     | 1334     | JOINT TORIQUE CUVE                               | O-RING FLOAT                                     | TORICA CUBETA                                   |
| 8    | 5161     | 5161     | POINTEAU CARBU KEIHIN 125 / 250 / 300 END 2T     | COMPLET VALVE FLOT 125 / 250 / 300 END 2T        | VALVOLA AGUJA KEIHIN 125 / 250 / 300 END 2T     |
| 9    | 7822     | 7822     | GICLEUR RALENTI 35 KEIHIN                        | PILOT JET 35 KEIHIN                              | CHICLE RALENTI 35 KEIHIN                        |
| 9    | 5086     | 5086     | GICLEUR RALENTI 38 KEIHIN                        | PILOT JET 38 KEIHIN                              | CHICLE RALENTI 38 KEIHIN                        |
| 9    | 4884     | 4884     | GICLEUR RALENTI 40 KEIHIN                        | PILOT JET 40 KEIHIN                              | CHICLE RALENTI 40 KEIHIN                        |
| 9    | 1403     | 1403     | GICLEUR RALENTI 42 KEIHIN                        | PILOT JET 42 KEIHIN                              | CHICLE RALENTI 42 KEIHIN                        |
| 9    | 1336     | 1336     | GICLEUR RALENTI 45 KEIHIN                        | PILOT JET 45 KEIHIN                              | CHICLE RALENTI 45 KEIHIN                        |
| 9    | 1339     | 1339     | GICLEUR RALENTI 48 KEIHIN                        | PILOT JET 48 KEIHIN                              | CHICLE RALENTI 48 KEIHIN                        |
| 9    | 1327     | 1327     | GICLEUR RALENTI 50 KEIHIN                        | PILOT JET 50 KEIHIN                              | CHICLE RALENTI 50 KEIHIN                        |
| 10   | 5129     | 5129     | AIGUILLE CARBU KEIHIN N84K                       | AIGUILLE CARBU N84K                              | AGUJA CARBU N84K                                |
| 10   | 4860     | 4860     | AIGUILLE CARBU KEIHIN N8RK                       | AIGUILLE CARBU N8RK                              | AGUJA CARBU N8RK                                |
| 10   | 5183     | 5183     | AIGUILLE CARBU KEIHIN N8RJ                       | AIGUILLE CARBU N8RJ                              | AGUJA CARBU N8RJ                                |
| 10   | 6323     | 6323     | AIGUILLE CARBU KEIHIN N8RW                       | JET NEEDLE N8RW                                  | AGUJA CARBU N8RW                                |
| 10   | 6324     | 6324     | AIGUILLE CARBU KEIHIN N8RH                       | JET NEEDLE N8RH                                  | AGUJA CARBU N8RH                                |
| 10   | 5070     | 5070     | AIGUILLE CARBU KEIHIN N8RG                       | AIGUILLE CARBU N8RG                              | AGUJA CARBU N8RG                                |
| 10   | 5936     | 5936     | AIGUILLE CARBU KEIHIN N8RF                       | JET NEEDLE N8RF                                  | AGUJA CARBU N8RF                                |
| 10   | 5935     | 5935     | AIGUILLE CARBU KEIHIN N8RE                       | JET NEEDLE N8RE                                  | AGUJA CARBU N8RE                                |
| 10   | 7416     | 7416     | AIGUILLE CARBU KEIHIN N8RD                       | AIGUILLE CARBU N8RD                              | AGUJA CARBU N8RD                                |
| 10   | 7417     | 7417     | AIGUILLE CARBU KEIHIN N8RC                       | AIGUILLE CARBU N8RC                              | AGUJA CARBU N8RC                                |
| 10   | 7418     | 7418     | AIGUILLE CARBU KEIHIN N8RB                       | AIGUILLE CARBU N8RB                              | AGUJA CARBU N8RB                                |
| 10   | 7421     | 7421     | AIGUILLE CARBU KEIHIN N1EI                       | AIGUILLE CARBU N1EI                              | AGUJA CARBU N1EI                                |
| 10   | 7420     | 7420     | AIGUILLE CARBU KEIHIN N1EH                       | AIGUILLE CARBU N1EH                              | AGUJA CARBU N1EH                                |
| 10   | 7149     | 7149     | AIGUILLE CARBU KEIHIN N1EG                       | JET NEEDLE N1EG                                  | AGUJA CARBU N1EG                                |
| 10   | 7419     | 7419     | AIGUILLE CARBU KEIHIN N1EF                       | AIGUILLE CARBU N1EF                              | AGUJA CARBU N1EF                                |
| 10   | 6891     | 6891     | AIGUILLE CARBU KEIHIN N1EE                       | JET NEEDLE N1EE                                  | AGUJA CARBU N1EE                                |
| 11   | 1342     | 1342     | CLIP AIGUILLE CARBU KEIHIN                       | CLIP AIGUILLE CARBU KEIHIN                       | CLIP AGUJA CARBU KEIHIN                         |
| 12   | 5087     | 5087     | BOISSEAU KEIHIN 5.5                              | THROTTLE VALVE KEIHIN 5.5                        | CAMPANA KEIHIN 5.5                              |
| 12   | 5088     | 5088     | BOISSEAU KEIHIN 6                                | THROTTLE VALVE KEIHIN 6                          | CAMPANA KEIHIN 6                                |
| 12   | 5184     | 5184     | BOISSEAU KEIHIN 65                               | THROTTLE VALVE KEIHIN 65                         | CAMPANA KEIHIN 65                               |
| 12   | 5089     | 5089     | BOISSEAU KEIHIN 7                                | THROTTLE VALVE KEIHIN 7                          | CAMPANA KEIHIN 7                                |
| 13   | 5163     | 5163     | FIXATION CÂBLE KEIHIN 250/300 END 2T             | HOLDER CABLE KEIHIN 250/300 END 2T               | TUERCA AJUSTE CABLE GAS 250/300 END 2T          |
| 14   | 5164     | 5164     | CHAPEAU CARBURATEUR KEIHIN 125/250/300 END 2T    | TOP CARBURATOR KEIHIN 125/250/300 END 2T         | TAPA CARBURATOR KEIHIN 125/250/300 END 2T       |

\*Sherco se réserve les droits de modification des références, merci de contrôler sur le portail Sherconetwork avant toute commande. - \*Sherco reserves the right to make change on the references, please check on your Sherconetwork portal before ordering.  
 \*Sherco se reserva el derecho para hacer modificaciones sobre las referencias. Por favor, verifica en el Sherconetwork antes de hacer un pedido.

## Carburateur / Carburetor / Carburador KEIHIN PWK 36



| POS. | 250 SC-R | 300 SC-R | FRANÇAIS                                           | ENGLISH                                                 | ESPAÑOL                                               |
|------|----------|----------|----------------------------------------------------|---------------------------------------------------------|-------------------------------------------------------|
| 15   | 5165     | 5165     | JOINT COUVERCLE BOISSEAU KEIHIN 125/250/300 END 2T | JOINT COVER KEIHIN 125/250/300 END 2T                   | JUNTA TAPA CARBURADOR KEIHIN 125/250/300 END 2T       |
| 16   | 5166     | 5166     | VIS REGUL ESSENCE CARBU KEIHIN 250/300 END 2T      | SCREW REGUL PETROL CARBU KEIHIN 250/300 END 2T          | TORNILLO AIRE KEIHIN 250/300 END 2T                   |
| 17   | 5167     | 5167     | RESSORT VIS ESSENCE CARBU KEIHIN 125/250/300 END   | SPRING SCREW REGUL PETROL CARBU KEIHIN 125/250/300 END  | MUELLE TORNILLO AIRE KEIHIN 125/250/300 END           |
| 18   | 5168     | 5168     | RONDELLE VIS ESSENCE CARBU KEIHIN 250/300 END 2T   | WASHER SPRING REGUL PETROL CARBU KEIHIN 250/300 END 2T  | ARRANDELLA MUELLE TORNILLO AIRE KEIHIN 250/300 END 2T |
| 19   | 5169     | 5169     | O RING VIS ESSENCE CARBU KEIHIN 125/250/300 END    | O RING SPRING REGUL PETROL CARBU KEIHIN 125/250/300 END | O RING MUELLE TORNILLO AIRE KEIHIN 125/250/300 END    |
| 20   | 5170     | 5170     | RESSORT CARBURATEUR KEIHIN 125/250/300 END 2T      | SPRING CARBURETOR KEIHIN 125/250/300 END 2T             | MUELLE CARBURADOR KEIHIN 125/250/300 END 2T           |
| 21   | 5171     | 5171     | CLIP VALVE KEIHIN 250/300 END 2T                   | CLIP FLOAT VALVE KEIHIN 250/300 END 2T                  | CLIP VALVULA KEIHIN 250/300 END 2T                    |
| 22   | 5172     | 5172     | VIS FIXATION CUVE KEIHIN 250/300 END 2T            | SCRE WFLOT KEIHIN 250/300 END 2T                        | TORNILLO FIJACION CUBA KEIHIN 250/300 END 2T          |
| 23   | 5173     | 5173     | DURITE CARBURATEUR KEIHIN END 250/300 2T           | VINYL PIPE BOWL KEIHIN END 250/300 2T                   | TUBO GASOLINA CARBURADOR KEIHIN END 250/300 2T        |
| 24   | 5188     | 5188     | DURITE CARBURATEUR KEIHIN END 250/300 2T           | VINYL PIPE BOWL KEIHIN END 250/300 2T                   | TUBO GASOLINA CARBURADOR KEIHIN END 250/300 2T        |
| 25   | 1351     | 1351     | AXE BALANCIER FLOTEUR CARBU KEIHIN                 | PIN BALANCIER FLOTEUR CARBU KEIHIN                      | EJE BALANCIER FLOTADOR CARBU KEIHIN                   |
| 26   | 5187     | 5187     | CLIP DURITE CARBU KEIHIN END 250/300 2T            | CLIP TUBE KEIHIN END 250/300 2T                         | CLIP TUBOS KEIHIN END 250/300 2T                      |
| 27   | 1402     | 1402     | GICLEUR PRINCIPAL 115 KEIHIN                       | MAIN JET 115 KEIHIN                                     | CHICLE PRINCIPAL 115 KEIHIN                           |
| 27   | 5178     | 5178     | GICLEUR PRINCIPAL 160 KEIHIN                       | MAIN JET 160 KEIHIN                                     | CHICLE PRINCIPAL 160 KEIHIN                           |
| 27   | 6325     | 6325     | GICLEUR PRINCIPAL 162 KEIHIN                       | MAIN JET 162 KEIHIN                                     | CHICLE PRINCIPAL 162 KEIHIN                           |
| 27   | 4883     | 4883     | GICLEUR PRINCIPAL 165 KEIHIN                       | MAIN JET 165 KEIHIN                                     | CHICLE PRINCIPAL 165 KEIHIN                           |
| 27   | 5179     | 5179     | GICLEUR PRINCIPAL 168 KEIHIN                       | MAIN JET 168 KEIHIN                                     | CHICLE PRINCIPAL 168 KEIHIN                           |
| 27   | 5180     | 5180     | GICLEUR PRINCIPAL 170 KEIHIN                       | MAIN JET 170 KEIHIN                                     | CHICLE PRINCIPAL 170 KEIHIN                           |
| 27   | 5181     | 5181     | GICLEUR PRINCIPAL 175 KEIHIN                       | MAIN JET 175 KEIHIN                                     | CHICLE PRINCIPAL 175 KEIHIN                           |
| 27   | 7769     | 7769     | GICLEUR PRINCIPAL 178 KEIHIN                       | MAIN JET 178 KEIHIN                                     | CHICLE PRINCIPAL 178 KEIHIN                           |
| 27   | 8009     | 8009     | GICLEUR PRINCIPAL 180 KEIHIN                       | MAIN JET 180 KEIHIN                                     | CHICLE PRINCIPAL 180 KEIHIN                           |
| 27   | 8020     | 8020     | GICLEUR PRINCIPAL 182 KEIHIN                       | MAIN JET 182 KEIHIN                                     | CHICLE PRINCIPAL 182 KEIHIN                           |
| 28   | 5175     | 5175     | GUIDE CÂBLE KEIHIN 125/250/300 2T END              | HOLDER CABLE KEIHIN GUIDE 125/250/300 2T END            | FIXACION CABLE GAS KEIHIN GUIDE 125/250/300 2T END    |
| 29   | 1356     | 1356     | VIS REGUL GAS CARBU KEIHIN                         | KIT SCREW REGUL GAS KEIHIN                              | TORNILLO RALENTI KEIHIN                               |
| 30   | 1357     | 1357     | RESSORT VIS REGUL GAS CARBU KEIHIN                 | SPRING SCREW REGUL GAS KEIHIN                           | MUELLE TORNILLO RALENTI KEIHIN                        |
| 31   | 5176     | 5176     | RONDELLE BLOQUAGE BOISSEAU KEIHIN 125/250/300 2T   | COLLAR THROTTLE VALVE KEIHIN 125/250/300 2T             | CASQUILLO NYLON MUELLE KEIHIN 125/250/300 2T          |
| 32   | 5186     | 5186     | DURITE CARBURATEUR KEIHIN END 250/300 2T           | VINYL PIPE BOWL KEIHIN END 250/300 2T                   | TUBO GASOLINA CARBURADOR KEIHIN END 250/300 2T        |
| 33   | 5189     | 5189     | DURITE CARBURATEUR KEIHIN END 250/300 2T           | VINYL PIPE BOWL KEIHIN END 250/300 2T                   | TUBO GASOLINA CARBURADOR KEIHIN END 250/300 2T        |
| 34   | 5177     | 5177     | VIS FIXATION COUVERCLE BOISSEAU KEIHIN END         | SCREW COVER KEIHIN END                                  | TORNILLO FIJACION TAPA CAMPANA KEIHIN END             |
| 35   | 5174     | 5174     | CLIP DURITE CARBU KEIHIN END 250/300 2T            | CLIP TUBE KEIHIN END 250/300 2T                         | CLIP TUBOS KEIHIN END 250/300 2T                      |
| 36   | 5130     | 5130     | GICLEUR STARTER 50 KEIHIN                          | STATER JET 50 KEIHIN                                    | CHICLE STARTER 55 KEIHIN                              |
| 36   | 5182     | 5182     | GICLEUR STARTER 85 KEIHIN                          | STATER JET 85 KEIHIN                                    | CHICLE STARTER 85 KEIHIN                              |
| 37   | 5410     | 5410     | COLLIER SERRAGE DOUBLE FIL 12.1-13.1               | HOSE SEEGER 12.1-13.1                                   | SEEGER TUBOS 12.1-13.1                                |

**Outillage / Tools / Utilajes**


| POS. | 250 SC-R | 300 SC-R | FRANÇAIS                                   | ENGLISH                                   | ESPAÑOL                                  |
|------|----------|----------|--------------------------------------------|-------------------------------------------|------------------------------------------|
| 1    | R455     | R455     | OUTIL SUPPORT MOTEUR                       | SUPPORT ENGINE TOOL                       | UTIL SOPORTE MOTOR                       |
| 2    | R481     | R481     | SERVANTE                                   | CONTAINER                                 | BANDEJA                                  |
| 3    | 5206     | 5206     | OUTIL BLOC PIGNON PRIMAIRE 250/300 END 2T  | PINION CLUTCH SHAFT TOOL 250/300 END 2 ST | UTIL PINION PRIMARIO 250/300 2T          |
| 4    | R464     | R464     | EXTRACTEUR ANNEAU INTERNE 450              | RING EXTRACTOR                            | EXTRACTOR ANILLO INTERIOR                |
| 5    | R462     | R462     | EXTRACTEUR VOLANT                          | FLYING EXTRACTOR                          | EXTRACTOR VOLANTE                        |
| 6    | 4753     | 4753     | OUTIL ALLUMAGE SYNERJECT ET MM             | TOOL IGNITION 250 SYNERJECT ET MM         | UTIL ENCENDIDO 250 SYNERJECT ET MM       |
| 7    | 7756     | 7756     | MANUEL DU PROPRIETAIRE SE 250/300 2019     | MANUEL USER SE 250/300 2019               | MANUAL PROPIETARIO SE 250/300 2019       |
| 8    | 0726     | 0726     | TROUSSE OUTILS                             | TOOLS                                     | RIÑONERA HERRAMIENTAS                    |
| 9    | 5749     | 5749     | OUTIL CLOCHE EMBRAYAGE END 250 SE ADLER    | CLUTCH TOOL 250 SE ADLER                  | UTIL CAMPANA EMBRAGUE 250 SE ADLER       |
| 10   | 5028     | 5028     | OUTIL EMMANAGEMENT D48                     | TOOL FIT UP AID D48 WP                    | HERRAMIENTA AYUDA MARTILLO WP 48         |
| 11   | 5029     | 5029     | OUTIL GUIDE JOINT D48                      | TOOL FIT UP AID SEALING D48 WP            | HERRAMIENTA GUIA JUNTA WP 48             |
| 12   | 5030     | 5030     | OUTIL BOUTEILLE MISE A NIVEAU WP           | TOOL FEEDING BOTTLE WP                    | HERRAMIENTA BOTELLA PUESTA A NIVEL WP    |
| 13   | 5031     | 5031     | OUTIL 1/2 MORS DE TUBE WP 48               | CLAMP JAW 48/60 WP                        | HERRAMIENTA FIJACION TUBOS WP            |
| 14   | 5132     | 5132     | OUTIL CLEF ERGOTS AJUSTABLE WP 48          | PIN SPANNER ADJUSTABLE WP                 | LLAVE DE PUNTAS AJUSTABLES WP            |
| 15   | 4967     | 4967     | OUTIL DIAGNOSTIC INJECTION SYNERJECT       | TOOL DIAGNOSTIC INJECTION SYNERJECT       | UTILLAJE DIAGNOSTICO INYECCION SYNERJECT |
| 16   | 6267     | 6267     | FAISCEAU SHUNT OUTIL DIAGNOSTIQUE KEY LESS | HARNES SHUNT DIAGNOSTIC TOOL KEY LESS     | SHUNT HERRAMIENTA DIAGNOSTICA A KEY LESS |
| 17   | 7189     | 7189     | OUTIL BOUCHON XPLOR                        | TOOL XPLOR CAP                            | UTIL TAPON XPLOR                         |



2020

created by [www.ciandisseny.com](http://www.ciandisseny.com)

**SHERCO**  
[www.sherco.com](http://www.sherco.com)

**SHERCO**  
Motorcycles

